



TYPE "B" SINGLE STAGE
CENTRIFUGAL PUMP
Bearing Frame Mount

Section	FM
Page	210.2.1
Date	December 1, 2005
Supersedes 1/1/04	

CAST IRON IMPELLER

B4EYRMBMS

Flanged Case

Mechanical Seal Construction

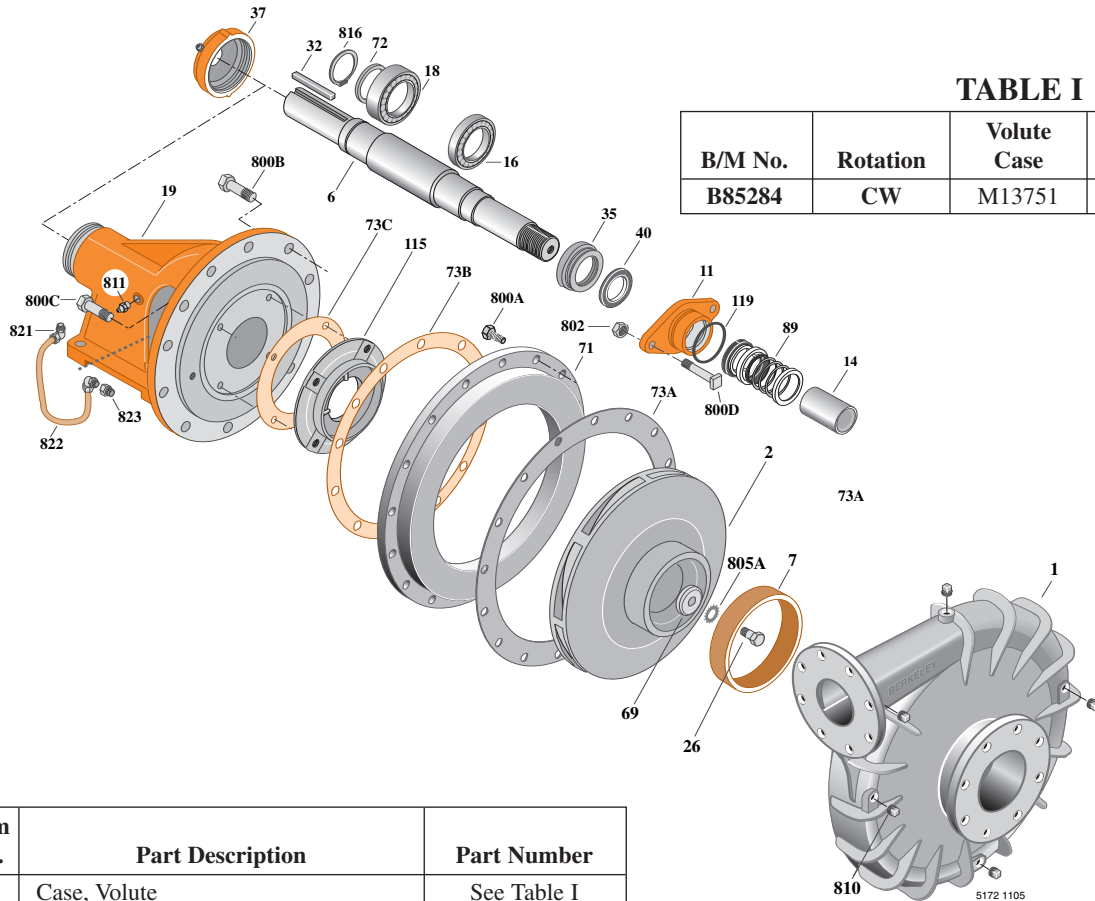


TABLE I

B/M No.	Rotation	Volute Case	Impeller	Impeller Diameter
B85284	CW	M13751	L02409	17.88"

Item No.	Part Description	Part Number
1	Case, Volute	See Table I
2	Impeller	See Table I
6	Shaft (Not sold separately)	See Note 1
7	Ring, Wearing	S15718
11	Retainer, Mechanical Shaft Seal	S11452
14	Sleeve, Shaft	S05974
16	Bearing, Ball	S15604
18	Bearing, Ball	S13396
19	Frame	H01838
26	Screw, Impeller 1/2-13x1"	S23619
32	Key, 1/2x4"	S24214
35	Inner Bearing Cap	S05928
37	Outer Bearing Cap Assembly*	S35277
40	Slinger, Water	S10964
69	Washer, Impeller	S06319
71	Ring, Adapter	M13753
72	Ring, Thrust	S06519
73A	Gasket, Suction Cover	S06401
73B	Gasket, Volute	S06271
73C	Gasket, Balance Ring	S09943
89	Seal, Mechanical Shaft	S32693
115	Ring, Balance	S13590
119	O-Ring	S26471

Item No.	Part Description	Part Number
800A	Capscrew, Hex 5/8-11x1-3/4"(16 Req.)	S27001
800B	Capscrew, Hex 5/8-11x1-1/2"(12 Req.)	S26999
800C	Capscrew, Hex 3/8-16x1" (4 Req.)	S26826
800D	Bolt, Sq. Head 1/2-13x2-1/4" (2 Req.)	S23792
802	Nut, Hex 1/2-13x7/16" (2 Req.)	S23347
805A	Washer, Lock	S23038
810	Plug, Pipe 1/2 NPT (4 Req.)	S23717
811	Fitting, Grease	S23670
816	Ring, Retaining	S23016
821	Elbow, Comp. Fitting (2 Req.)	S24128
822	Tubing, Copper	S20677
823	Bushing, Pipe	S24544

1. **Shaft Replacement Kit** available for this model.
Berkeley part number **B07596**.
Pump Shaft sold in shaft replacement kit only.

* Includes grease fitting.