



# Type "B" Single Stage Centrifugal Pump Bearing Frame Mount

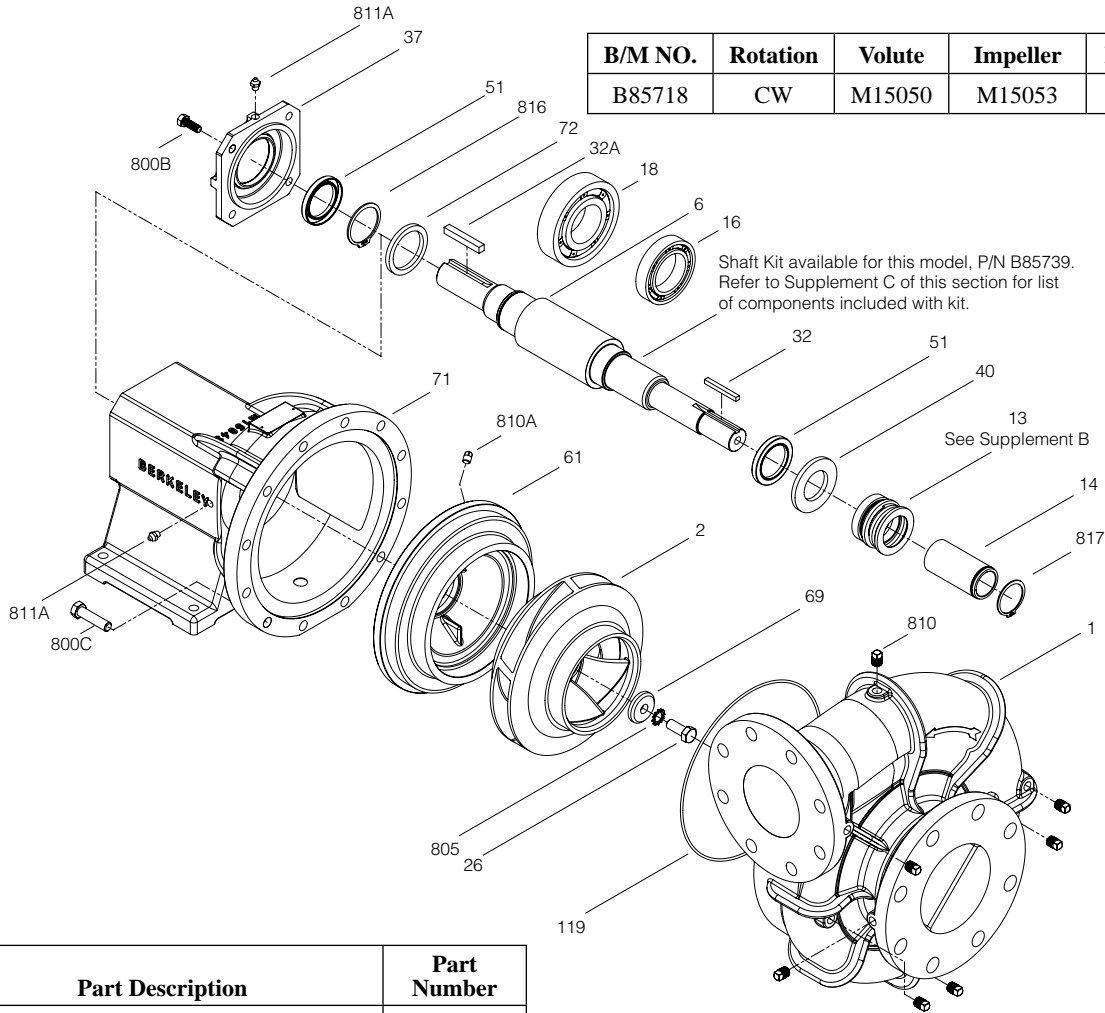
Section	FM
Page	238.2
Date	May 1, 2011
Supersedes 1/10/11	

**CAST IRON IMPELLER**

**B6ZRBHHS**

**Power Frame Case**

**Mechanical Seal Construction**



B/M NO.	Rotation	Volute	Impeller	Impeller Dia.
B85718	CW	M15050	M15053	9.50

Shaft Kit available for this model, P/N B85739. Refer to Supplement C of this section for list of components included with kit.

Item No.	Part Description	Part Number
1	Case, Volute	M15050
2	Impeller	M15053
6	Shaft	M15091
13	Seal, Mechanical	S32015
14	Sleeve, Shaft (Note 3)	B85741
16	Bearing, Ball	M15097
18	Bearing, Ball	S13754
26	Screw, Impeller	S23621
32	Key, 1/4" X 2-1/4"	S23677
32A	Key, 3/8" x 2-1/2"	S23941
37	Outer Bearing Cap	M15054
40	Slinger, Water	S10964
51	Seal, Oil	M12337
61	Plate, Seal	M15046
69	Washer, Impeller	S06319
71	Bracket	M15043

72	Ring, Thrust	M15095
119	O-Ring	M15099
800B	Screw, 3/8-16 X 1 LG CRS (4 rqd)	S26826
800C	Screw, 1/2-13NC X 2 LG CRS (12 rqd)	S26920
805	Washer, Lock	S23038
810	Plug, Pipe	S23715
810A	Plug, Pipe	U78-56ZPS
811A	Fitting, Grease	S23700
816	Ring, Retaining	M15094
817	Ring, Retaining	S16767

**NOTES**

- 1 Shaft replacement kit B85739 includes items 6, 14, 16, 18, 26, 32, 32A, 40, 51, 69, 72, 805, 816
- 2 Impeller kit B85754 includes items 26, 32, 69, 119, 805
- 3 Shaft sleeve kit B85741 includes item 14, adhesive and instruction sheet