



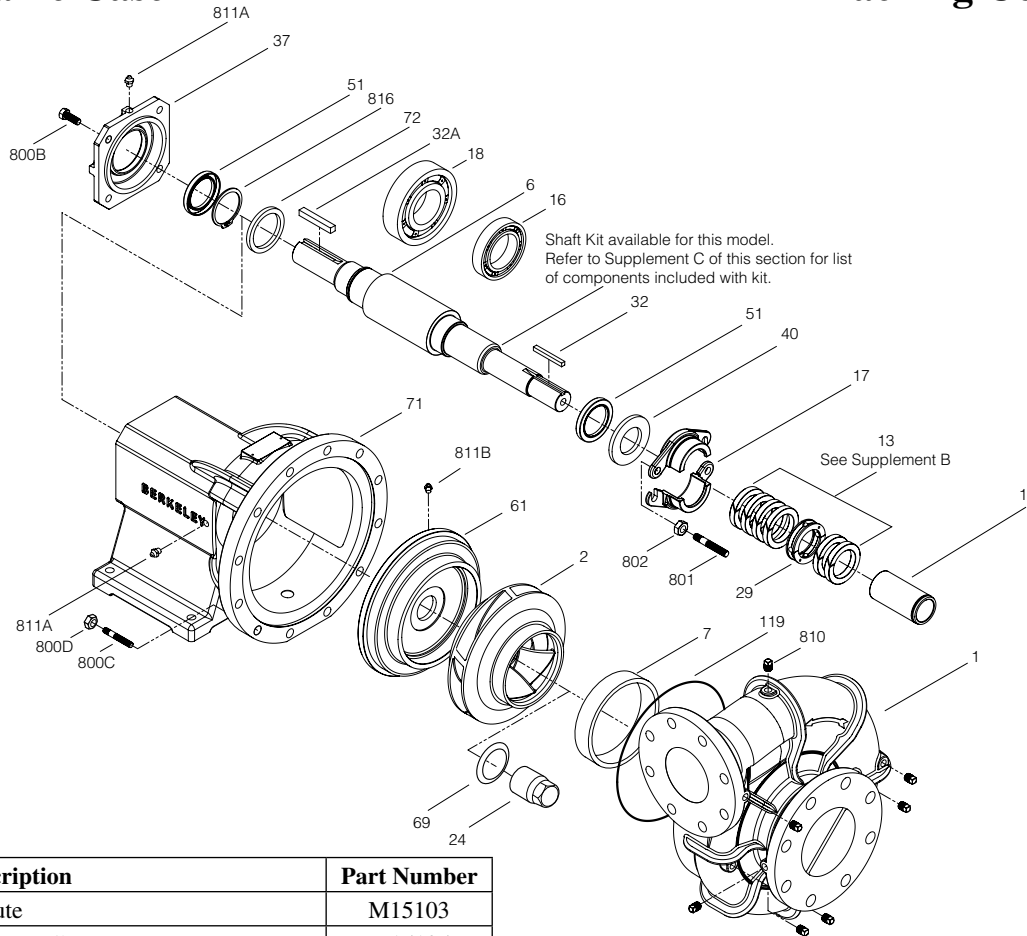
Type "B" Single Stage Centrifugal Pump Bearing Frame Mount

Section	FM
Page	340.1
Date	June 1, 2011
	New

CAST IRON IMPELLER B10JRBH

Power Frame Case

Packing Construction



Item	Part Description	Part Number
1	Case, Volute	M15103
2	Impeller (Note 1)	M15105
6	Shaft (Note 2)	M15117
7	Ring, Wearing	M15125
13	Ring, Packing (Set of 6)	S16448
14	Sleeve, Shaft (Note 3)	S29517L
16	Bearing, Ball (Note 2)	M15133
17	Gland, Packing (2 rqd)	M05311
18	Bearing, Ball (Note 2)	M15132
24	Locknut, Impeller (Note 1,3)	S07829
29	Ring, Lantern	S14330
32	Key, 1/2x1/2x2-3/4" (Note 1,3)	M15123
32A	Key, 1/2x1/2x2-3/8" (Note 2)	M15203
37	Bearing Cap	M15119
40	Slinger, Water (Note 2)	M15129
51	Seal, Grease (2 rqd)	M15135
61	Plate, Seal	M15110
69	Washer, Impeller (Note 1,3)	M15232
71	Bracket	M15115
72	Ring, Thrust (Note 2)	M15202
119	O-Ring (Note 1,3)	M15130

Table I

B/M No.	Rotation	Volute Case	Impeller	Impeller Diameter
B85796	CW	M15103	M15105	13.50"

Item	Part Description	Part Number
800B	Capscrew, 1/2-13x1.5" (4 rqd)	S23623
800C	Stud, 5/8-11x2-1/2" (12 rqd)	M15388
800D	Nut, Hex 5/8-11 (12 rqd)	S23490
801	Stud, 1/2-13x2-1/2" (2 rqd)	S24358
802	Nut, Hex 1/2-13 (2 rqd)	S23347
810	Plug, Pipe (7 rqd)	S23717
811A	Fitting, Grease	S23670
811B	Fitting, Grease (2 rqd)	S23700
816	Ring, Retaining (Note 2)	M15134

NOTE 1: Impeller kit B85810 includes items 2, 24, 32, 69, 119.

NOTE 2: Shaft Replacement Kit B85676 available for this model. Pump Shaft sold in shaft replacement kit only.

NOTE 3: Shaft sleeve kit B85812 includes item 14, adhesive and instruction sheet.