



TYPE "B" SINGLE STAGE
CENTRIFUGAL PUMP
Electric Motor Drive

Section	CC
Page	120.15
Date	May 15, 2009
Supersedes 1/1/04	

SILICON BRONZE IMPELLER

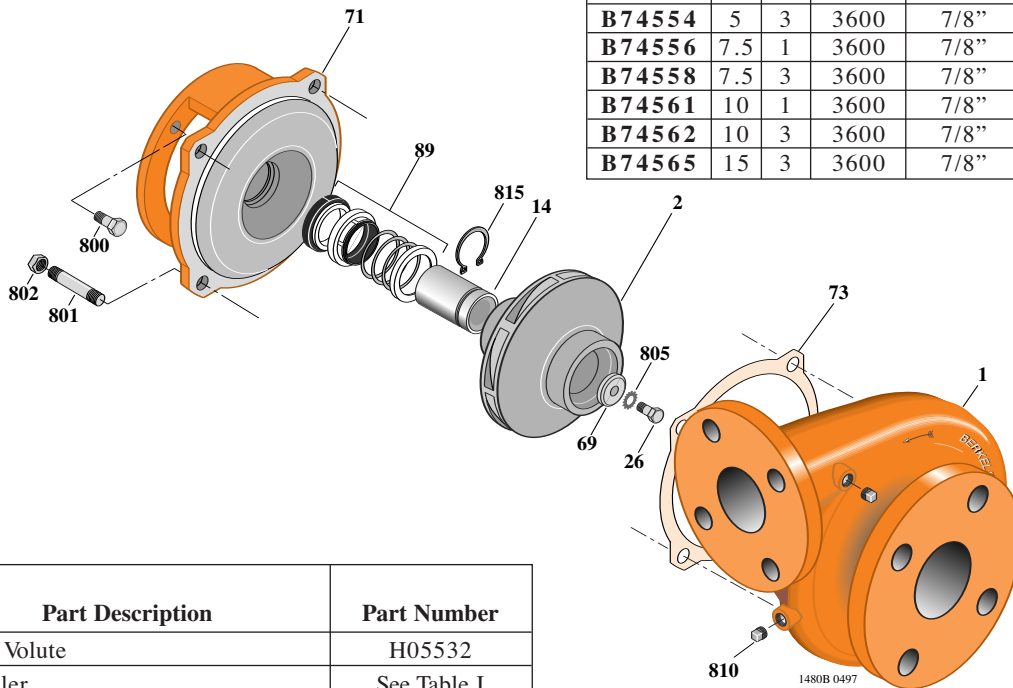
B2-1/2TPMS

Flanged Case

Mechanical Shaft Seal Construction

TABLE I

B/M No.	HP	PH	RPM	"U" Dim.	Imp. Dia.	Imp. No.
B74550	3	1	3600	7/8"	4.00"	L08088
B74551	3	3	3600	7/8"	4.00"	L08088
B74553	5	1	3600	7/8"	4.69"	L08089
B74554	5	3	3600	7/8"	4.69"	L08089
B74556	7.5	1	3600	7/8"	5.25"	L08090
B74558	7.5	3	3600	7/8"	5.25"	L08090
B74561	10	1	3600	7/8"	5.69"	L08092
B74562	10	3	3600	7/8"	5.69"	L08092
B74565	15	3	3600	7/8"	6.50"	L08094



Item No.	Part Description	Part Number
1	Case, Volute	H05532
2	Impeller	See Table I
14	Sleeve, Shaft (See Note 2)	S19310L
26	Screw, Impeller 3/8 - 16 x 1"	S23566
32	Key, 3/16 x 1-1/4" (See Note 1)	S34383
69	Washer, Impeller	S06314
71	Bracket	See Table II
73	Gasket, Volute	S04757
89	Seal, Mechanical Shaft	S32014
800	Capscrew, 3/8 - 16 x 1" (4 Req.) (For 4-1/2 AK)	S26826
800	Capscrew, 1/2 - 13 x 1" (4 Req.) (For 8-1/2 AK)	S26912
801	Stud, 1/2 - 13 x 1-1/2" (4 Req.)	S24043
802	Nut, 1/2 - 13 (4 Req.)	S23107
805	Washer, Lock	S23036
810	Plug, Pipe 1/4" NPT (4 Req.)	S23715
815	Ring, Retaining	S11207
•	Plug, Pipe 1/8" NPT (In Bracket)	S23714

TABLE II

HP	PH	Bracket No.	"AK" Fit	"U" Dim.	Motor Frame
3	1	L05329	4-1/2"	7/8"	182JM
3	3	L05329	4-1/2"	7/8"	145JM
5	1	L05329	4-1/2"	7/8"	184JM
5	3	L05329	4-1/2"	7/8"	182JM
7.5	1	L05328	8-1/2"	7/8"	213JM
7.5	3	L05329	4-1/2"	7/8"	184JM
10	1	L05328	8-1/2"	7/8"	215JM
10	3	L05328	8-1/2"	7/8"	213JM
15	3	L05328	8-1/2"	7/8"	215JM

NOTE 1: For an explanation of the tabulated material found on this page and for impeller key location, refer to *Supplement A* located at the beginning of this section.

NOTE 2: Sleeve replacement kit available. Berkeley part number B85681 includes the shaft sleeve, adhesive compound and instruction sheet.

NOTE 3: For seal flush line details, see *Supplement D*.

• Not illustrated.