



Type "B" Single Stage Centrifugal Pump Electric Motor Drive

| | |
|-------------------|--------------|
| Section | CC |
| Page | 130.4 |
| Date | July 1, 2011 |
| Supersedes 1/1/04 | |

SILICON BRONZE IMPELLER

B2-1/2ZPL

Threaded Case (NPT)

Packing Construction

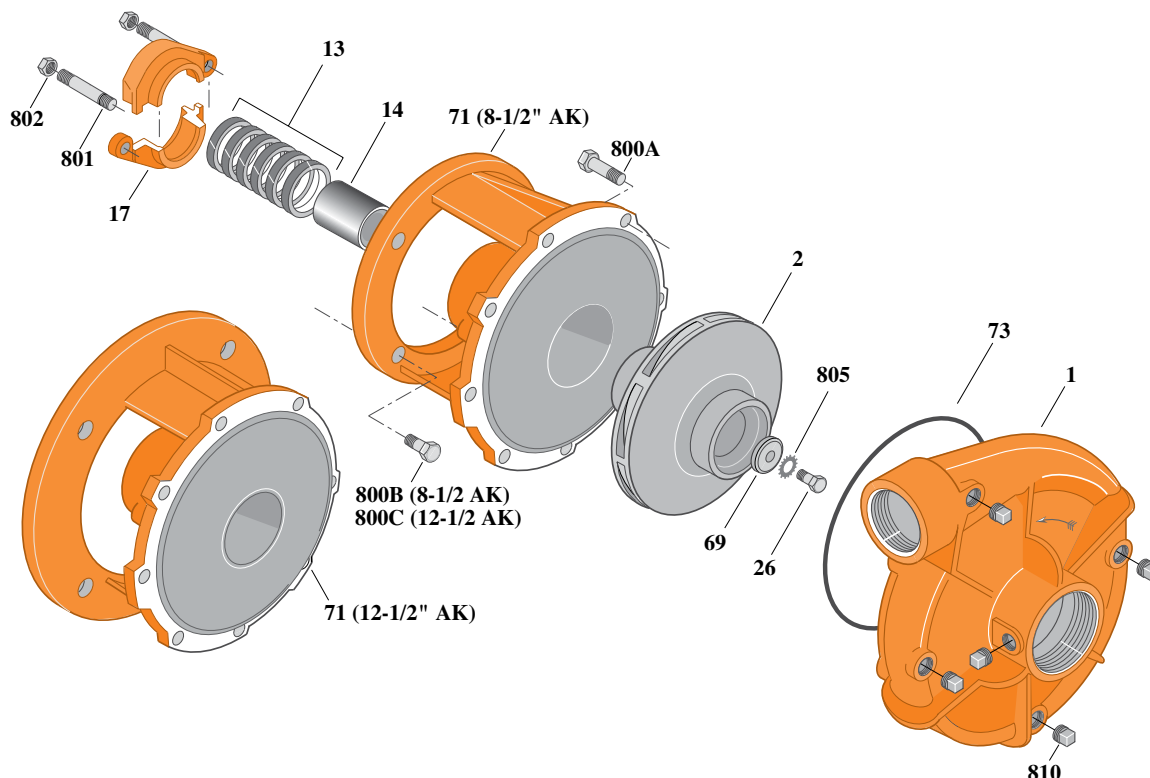


Table I

| B/M No. | HP | PH | RPM | "U" Dim. | Imp. Dia. | Imp. No. |
|---------|----|----|------|----------|-----------|----------|
| B66536 | 15 | 3 | 3600 | 1-1/4" | 6.94" | L06639 |
| B66536S | 15 | 3 | 3600 | 1-1/4" | 6.94" | H05469 |
| B66537 | 20 | 3 | 3600 | 1-1/4" | 7.69" | L06640 |
| B66537S | 20 | 3 | 3600 | 1-1/4" | 7.69" | H05470 |
| B66539 | 25 | 3 | 3600 | 1-1/4" | 8.44" | L06644 |
| B66539S | 25 | 3 | 3600 | 1-1/4" | 8.44" | H05471 |
| B66541 | 30 | 3 | 3600 | 1-1/4" | 8.88" | L06645 |
| B66541S | 30 | 3 | 3600 | 1-1/4" | 8.88" | H05472 |

Table II

| HP | PH | Bracket No. | "AK" Fit | "U" Dim. | Motor Frame |
|----|----|-------------|----------|----------|-------------|
| 15 | 3 | L03827 | 8-1/2" | 1-1/4" | 215JP |
| 20 | 3 | L03827 | 8-1/2" | 1-1/4" | 254JP |
| 25 | 3 | L03827 | 8-1/2" | 1-1/4" | 256JP |
| 30 | 3 | L01563 | 12-1/2" | 1-1/4" | 284JP |

NOTE 1: For an explanation of the tabulated material found on this page and for impeller key location, refer to *Supplement A* located at the beginning of this section.

NOTE 2: Also accepts gasket S05126 as replacement for o-ring. See *Supplement E* located at the beginning of this section.

Form No. S4855BK

| Item | Part Description | Part Number |
|------|--------------------------------------|--------------|
| 1 | Case, Volute | L01027 |
| 2 | Impeller | See Table I |
| 13 | Rings, Packing (Set of 6) | S13470 |
| 14 | Sleeve, Shaft | S05149L |
| 17 | Gland, Packing | B82470 |
| 26 | Screw, Impeller 1/2 - 13 x 1" | S23619 |
| 32 | Key, 1/4 x 2-1/4" (See Note 1) | S23677 |
| 69 | Washer, Impeller | S06319 |
| 71 | Bracket | See Table II |
| 73 | O-Ring (See Note 2) | M14943 |
| 800A | Capscrew, 3/8 - 16 x 7/8" (8 Req.) | S26825 |
| 800B | Capscrew, 1/2 - 13 x 1-1/2" (4 Req.) | S26916 |
| 800C | Capscrew, 5/8 - 11 x 1-1/2" (4 Req.) | S26999 |
| 801 | Stud, 3/8 - 16 x 4" (2 Req.) | S08303 |
| 802 | Nut, Hex 3/8 - 16 (2 Req.) | S23343 |
| 805 | Washer, Lock | S23038 |
| 810 | Plug, Pipe 1/4 NPT (5 Req.) | S23715 |