



Type "B" Single Stage Centrifugal Pump Electric Motor Drive

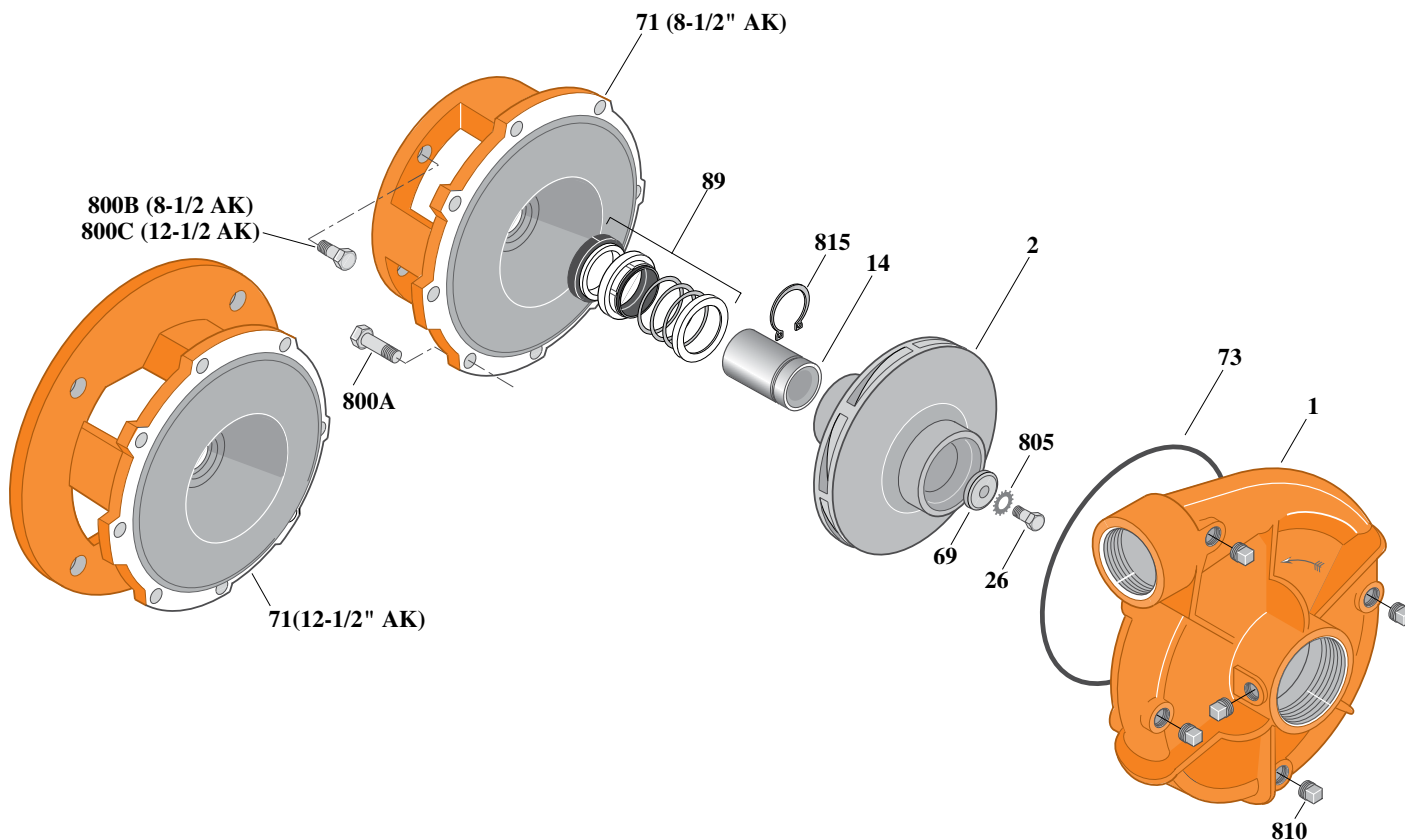
| | |
|-------------------|--------------|
| Section | CC |
| Page | 130.6 |
| Date | July 1, 2011 |
| Supersedes 1/1/04 | |

SILICON BRONZE IMPELLER

B2-1/2ZPLS

Threaded Case (NPT)

Mechanical Shaft Seal Construction



| Item | Part Description | Part Number |
|------|------------------------------------|--------------|
| 1 | Case, Volute | L01027 |
| 2 | Impeller | See Table I |
| 14 | Sleeve, Shaft | S18869L |
| 26 | Screw, Impeller 1/2 - 13 x 1" | S23619 |
| 32 | Key, 1/4 x 2-1/4" (See Note 1) | S23677 |
| 69 | Washer, Impeller | S06319 |
| 71 | Bracket | See Table II |
| 73 | O-Ring (See Note 2) | M14943 |
| 89 | Seal, Mechanical Shaft | S32015 |
| 800A | Capscrew, 3/8 - 16 x 7/8" (8 Req.) | S26825 |
| 800B | Capscrew, 1/2 - 13 x 1" (4 Req.) | S26912 |
| 805 | Washer, Lock | S23038 |
| 810 | Plug, Pipe 1/4 NPT (5 Req.) | S23715 |
| 815 | Ring, Retaining | S16767 |

Table I

| B/M No. | HP | PH | RPM | "U" Dim. | Imp. Dia. | Imp. No. |
|---------|--|----|------|----------|-----------|----------|
| B66538S | 20 | 3 | 3600 | 1-1/4" | 7.69" | H05470 |
| B66540S | 25 | 3 | 3600 | 1-1/4" | 8.44" | H05471 |
| B66542S | 30 | 3 | 3600 | 1-1/4" | 8.88" | H05472 |
| B66538 | <i>These B/M Numbers Are No Longer Available. See Above For Current Models</i> | | | | | |
| B66540 | | | | | | |
| B66542 | | | | | | |

Table II

| HP | PH | Bracket No. | "AK" Fit | "U" Dim. | Motor Frame |
|----|----|-------------|----------|----------|-------------|
| 20 | 3 | L04615 | 8-1/2" | 1-1/4" | 254JM |
| 25 | 3 | L04615 | 8-1/2" | 1-1/4" | 256JM |
| 30 | 3 | L04627 | 12-1/2" | 1-1/4" | 284JM |

NOTE 1: For an explanation of the tabulated material found on this page and for impeller key location, refer to **Supplement A** located at the beginning of this section.

NOTE 2: Also accepts gasket S05126 as replacement for o-ring. See **Supplement E** located at the beginning of this section.

Form No. S4855BK