



Type "B" Single Stage Centrifugal Pump Electric Motor Drive

Section	CC
Page	140.10
Date	July 1, 2011
Supersedes 1/1/04	

SILICON BRONZE IMPELLER

B2-1/2ZPMS

Flanged Case

Mechanical Shaft Seal Construction

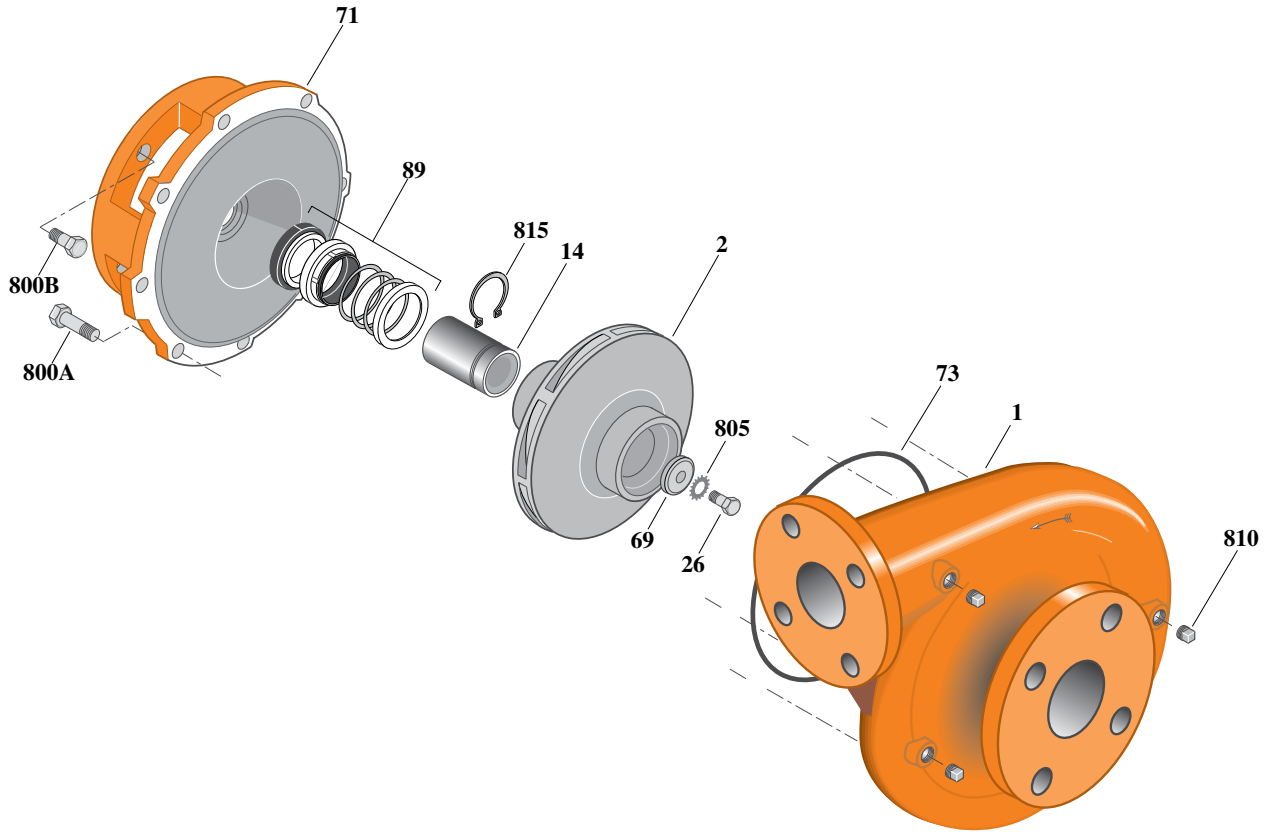


Table I

B/M No.	HP	PH	RPM	"U" Dim.	Imp. Dia.	Imp. No.
B74580	2	1	1800	7/8"	6.18"	L08164
B74581	2	3	1800	7/8"	6.18"	L08164
B74595	3	1	1800	7/8"	7.31"	L08165
B74596	3	3	1800	7/8"	7.31"	L08165
B74618	5	3	1800	7/8"	8.38"	L08166

Table II

HP	PH	Bracket No.	"AK" Fit	"U" Dim.	Motor Frame
2	1	L05332	4-1/2"	7/8"	182JM
2	3	L05332	4-1/2"	7/8"	145JM
3	1	L05332	4-1/2"	7/8"	184JM
3	3	L05332	4-1/2"	7/8"	182JM
5	3	L05332	4-1/2"	7/8"	184JM

Item	Part Description	Part Number
1	Case, Volute	H05534
2	Impeller	See Table I
14	Sleeve, Shaft	S19310L
26	Screw, Impeller 3/8 - 16 x 1"	S23566
32	Key, 3/16 x 1-1/4" (See Note 1)	S34383
69	Washer, Impeller	S06314
71	Bracket	See Table II
73	O-Ring (See Note 3)	M14943
89	Seal, Mechanical Shaft	S32014
800A	Capscrew, 3/8 - 16 x 7/8" (8 Req.)	S26825
800B	Capscrew, 3/8 - 16 x 1" (4 Req.)	S26826
805	Washer, Lock	S23036
810	Plug, Pipe 1/4" NPT (4 Req.)	S23715
815	Ring, Retaining	S11207
•	Plug, Pipe 1/8" NPT (In Bracket)	S23714

• Not illustrated.

NOTE 1: For an explanation of the tabulated material found on this page and for impeller key location, refer to *Supplement A* located at the beginning of this section.

NOTE 2: For seal flush line details, see *Supplement D*.

NOTE 3: Also accepts gasket S05126 as replacement for o-ring. See *Supplement E* located at the beginning of this section.