



Type "B" Single Stage Centrifugal Pump Electric Motor Drive

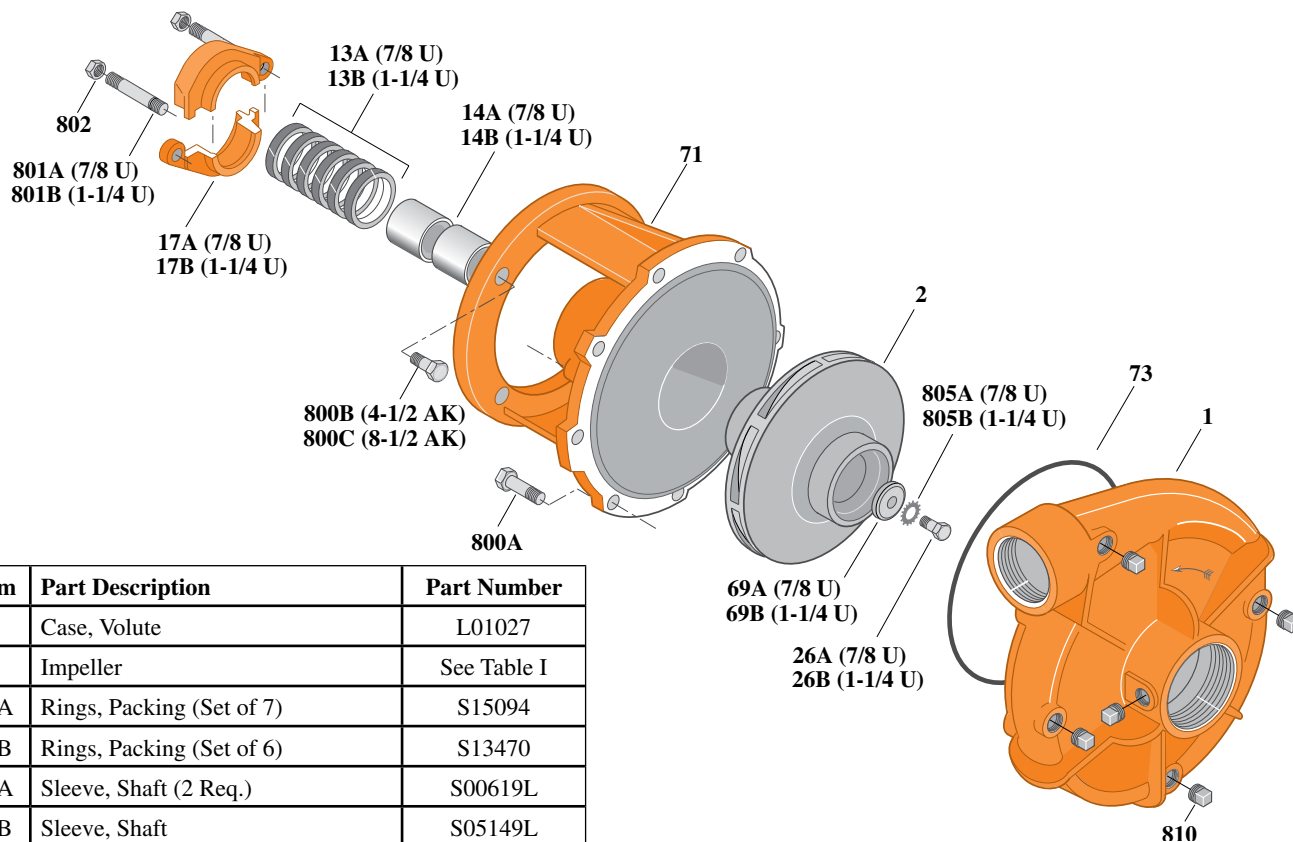
Section	CC
Page	140.2
Date	July 1, 2011
Supersedes 1/1/04	

CAST IRON IMPELLER

B2-1/2ZPM

Threaded Case (NPT)

Packing Construction



Item	Part Description	Part Number
1	Case, Volute	L01027
2	Impeller	See Table I
13A	Rings, Packing (Set of 7)	S15094
13B	Rings, Packing (Set of 6)	S13470
14A	Sleeve, Shaft (2 Req.)	S00619L
14B	Sleeve, Shaft	S05149L
17A	Gland, Packing	B82469
17B	Gland, Packing	B82470
26A	Screw, Impeller 3/8 - 16 x 1"	S23566
26B	Screw, Impeller 1/2 - 13 x 1-1/2"	S23623
32A	Key, 3/16 x 1-1/4" (See Note 1)	S34383
32B	Key, 1/4 x 2-1/4" (See Note 1)	S23677
69A	Washer, Impeller	S06314
69B	Washer, Impeller	S06319
71	Bracket	See Table II
73	O-Ring (See Note 2)	M14943
800A	Capscrew, 3/8 - 16 x 7/8" (8 Req.)	S26825
800B	Capscrew, 3/8 - 16 x 1" (4 Req.)	S26826
800C	Capscrew, 1/2 - 13 x 1-1/2" (4 Req.)	S26916
801A	Stud, 3/8 - 16 x 3" (2 Req.)	S04439
801B	Stud, 3/8 - 16 x 4" (2 Req.)	S08303
802	Nut, Hex 3/8 - 16 (2 Req.)	S23343
805A	Washer, Lock	S23036
805B	Washer, Lock	S23038
810	Plug, Pipe 1/4 NPT (5 Req.)	S23715

Table I

B/M No.	HP	PH	RPM	"U" Dim.	Imp. Dia.	Imp. No.
B53804	5	1	1800	1-1/4"	8.38"	L06127
B53807	5	3	1800	7/8"	8.38"	L06126
B53805	7.5	1	1800	1-1/4"	9.00"	L05120
B53808	7.5	3	1800	1-1/4"	9.00"	L05120

Table II

HP	PH	Bracket No.	"AK" Fit	"U" Dim.	Motor Frame
5	1	L03827	8-1/2"	1-1/4"	213JP
5	3	H00950	4-1/2"	7/8"	184JP
7.5	1	L03827	8-1/2"	1-1/4"	215JP
7.5	3	L03827	8-1/2"	1-1/4"	213JP

NOTE 1: For an explanation of the tabulated material found on this page and for impeller key location, refer to *Supplement A* located at the beginning of this section.

NOTE 2: Also accepts gasket S05126 as replacement for o-ring. See *Supplement E* located at the beginning of this section.