



TYPE "B" SINGLE STAGE  
CENTRIFUGAL PUMP  
Electric Motor Drive

Section	CC
Page	160.1
Date	January 1, 2004
Supersedes 6/1/95	

CAST IRON IMPELLER

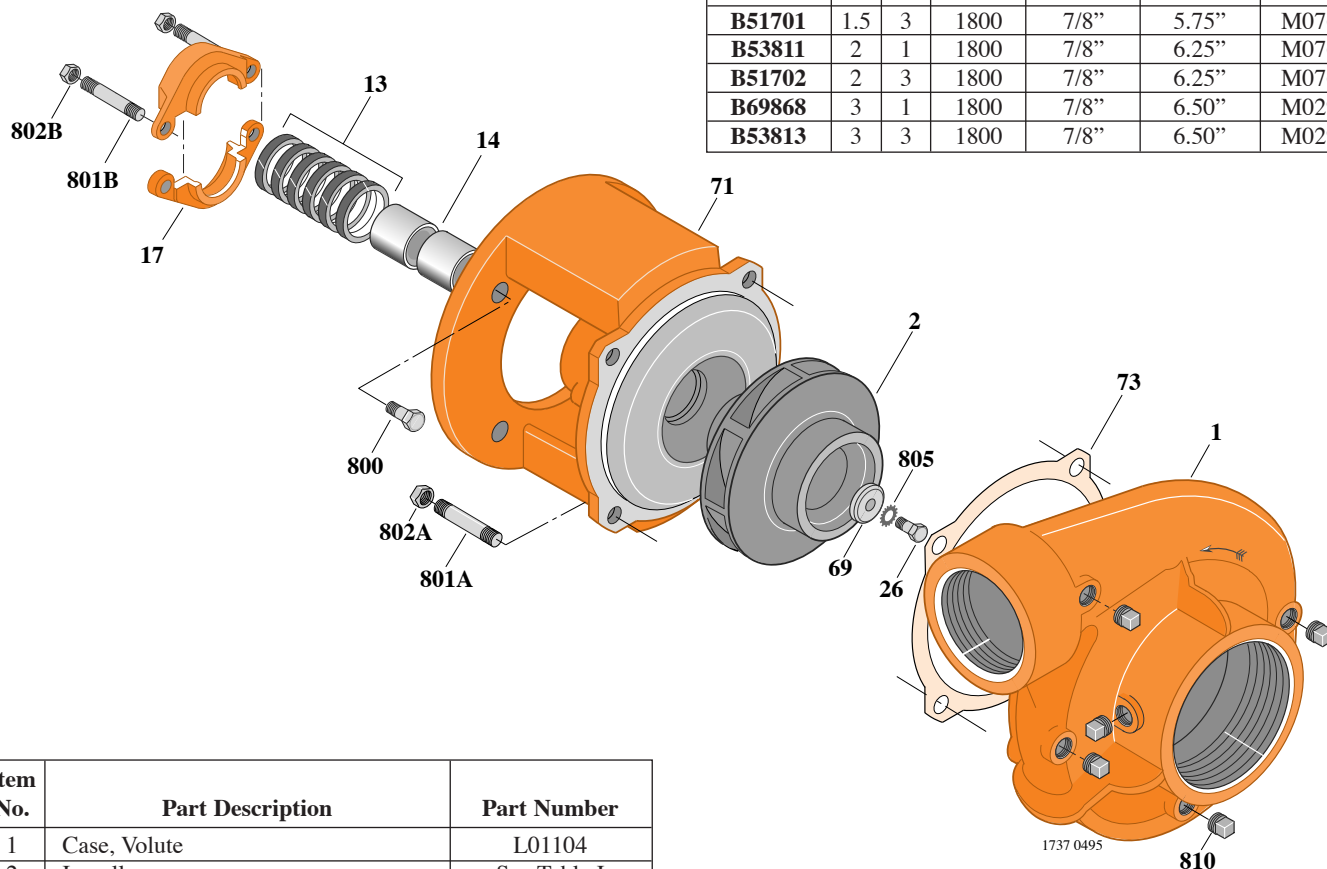
B3TPM

Threaded Case (NPT)

Packing Construction

TABLE I

B/M No.	HP	PH	RPM	"U" Dim.	Imp. Dia.	Imp. No.
B51696	1	1	1800	7/8"	5.12"	M07652
B51700	1	3	1800	7/8"	5.12"	M07652
B51697	1.5	1	1800	7/8"	5.75"	M07653
B51701	1.5	3	1800	7/8"	5.75"	M07653
B53811	2	1	1800	7/8"	6.25"	M07654
B51702	2	3	1800	7/8"	6.25"	M07654
B69868	3	1	1800	7/8"	6.50"	M02959
B53813	3	3	1800	7/8"	6.50"	M02959



Item No.	Part Description	Part Number
1	Case, Volute	L01104
2	Impeller	See Table I
13	Rings, Packing (Set of 6)	S13469
14	Sleeve, Shaft (2 Req.)	S00619
17	Gland, Packing	B82469
26	Screw, Impeller 3/8 - 16 x 1"	S23566
32	Key, 3/16 x 1-1/4" (See Note)	S34383
69	Washer, Impeller	S06314
71	Bracket	See Table II
73	Gasket, Volute	S04757
800	Capscrew, 3/8 - 16 x 7/8" (4 Req.)	S26825
801A	Stud, 1/2 - 13 x 1-1/2" (4 Req.)	S24043
801B	Stud, 3/8 - 16 x 4" (2 Req.)	S08303
802A	Nut, Hex 1/2 - 13 (4 Req.)	S23107
802B	Nut, Hex 3/8 - 16 (2 Req.)	S23343
805	Washer, Lock	S23706
810	Plug, Pipe 1/4 NPT (5 Req.)	S23715

TABLE II

HP	PH	Bracket No.	"AK" Fit	"U" Dim.	Motor Frame
1	1	L01525	4-1/2"	7/8"	143JP
1	3	L01525	4-1/2"	7/8"	143JP
1.5	1	L01525	4-1/2"	7/8"	145JP
1.5	3	L01525	4-1/2"	7/8"	145JP
2	1	L01525	4-1/2"	7/8"	182JP
2	3	L01525	4-1/2"	7/8"	145JP
3	1	L01525	4-1/2"	7/8"	184JP
3	3	L01525	4-1/2"	7/8"	182JP

**NOTE:** For an explanation of the tabulated material found on this page and for impeller key location, refer to *Supplement A* located at the beginning of this section.