



TYPE "B" SINGLE STAGE  
CENTRIFUGAL PUMP  
Electric Motor Drive

Section	CC
Page	160.10
Date	January 1, 2004
Supersedes 6/1/95	

CAST IRON IMPELLER

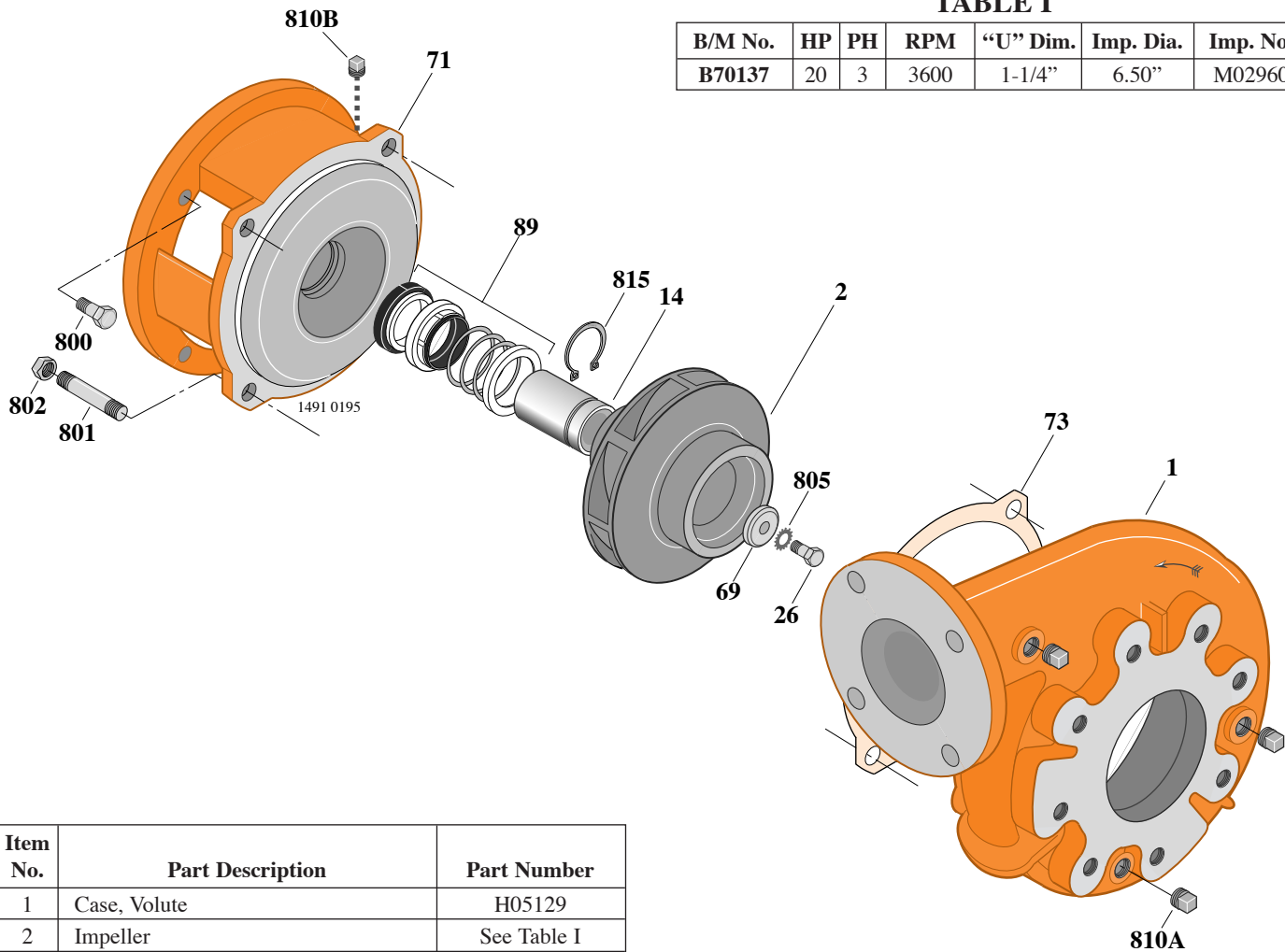
B3TPMS

Flanged Case

Mechanical Shaft Seal Construction

TABLE I

B/M No.	HP	PH	RPM	"U" Dim.	Imp. Dia.	Imp. No.
B70137	20	3	3600	1-1/4"	6.50"	M02960



Item No.	Part Description	Part Number
1	Case, Volute	H05129
2	Impeller	See Table I
14	Sleeve, Shaft	S18869
26	Screw, Impeller 1/2 - 13 x 1"	S23619
32	Key, 1/4 x 2-1/4" (See Note)	S23677
69	Washer, Impeller	S06319
71	Bracket	See Table II
73	Gasket, Volute	S04757
89	Seal, Mechanical Shaft	S32015
800	Capscrew, 1/2 - 13 x 1" (4 Req.)	S26912
801	Stud, 1/2 - 13 x 1-1/2" (4 Req.)	S24043
802	Nut, 1/2 - 13 (4 Req.)	S23107
805	Washer, Lock	S23038
810	Plug, Pipe (5 Req.)	S23715
815	Ring, Retaining	S16767

TABLE II

HP	PH	Bracket No.	"AK" Fit	"U" Dim.	Motor Frame
20	3	L05779	8-1/2"	1-1/4"	254JM

**NOTE:** For an explanation of the tabulated material found on this page and for impeller key location, refer to *Supplement A* located at the beginning of this section.