



TYPE "B" SINGLE STAGE CENTRIFUGAL PUMP Electric Motor Drive

| | |
|-------------------|-----------------|
| Section | CC |
| Page | 160.2 |
| Date | January 1, 2004 |
| Supersedes 6/1/95 | |

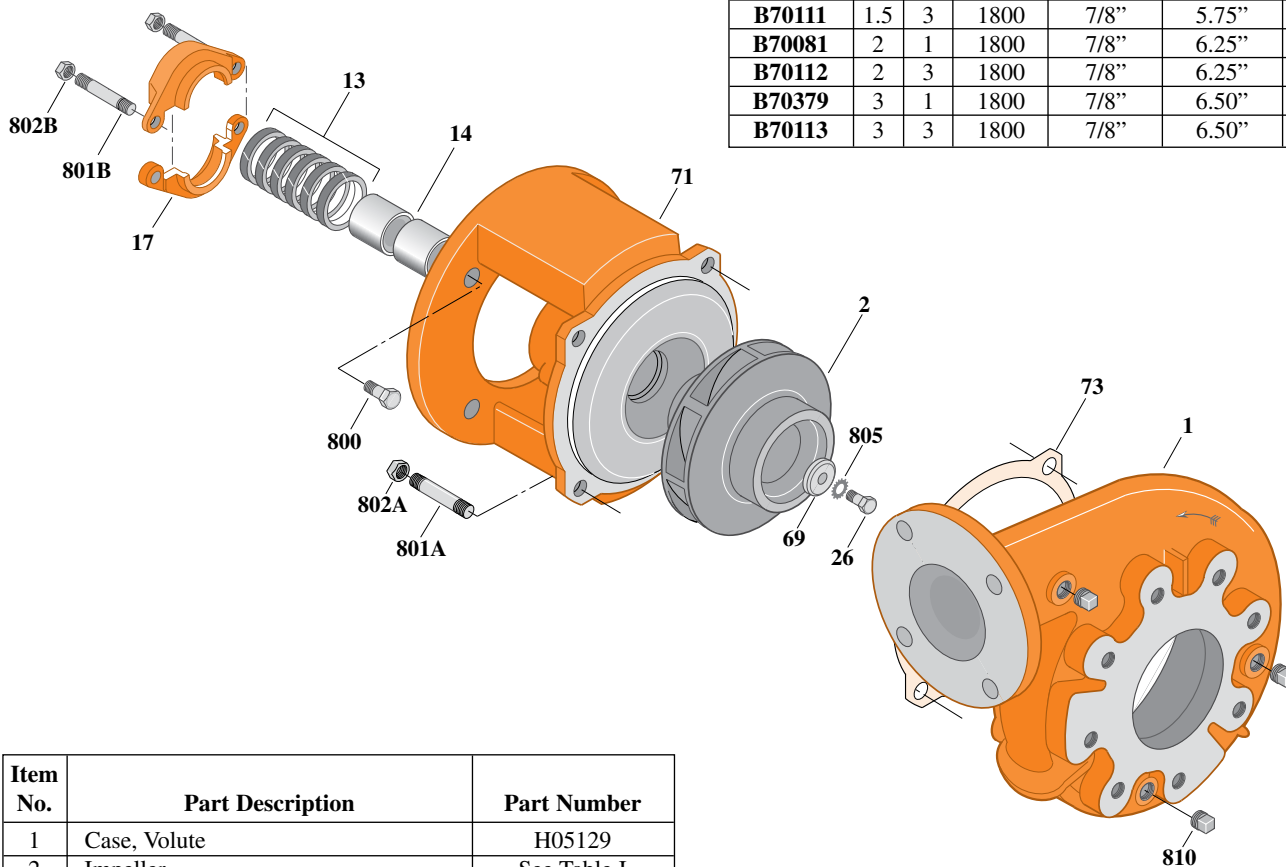
CAST IRON IMPELLER B3TPM

Flanged Case

Packing Construction

TABLE I

| B/M No. | HP | PH | RPM | "U" Dim. | Imp. Dia. | Imp. No. |
|---------|-----|----|------|----------|-----------|----------|
| B70074 | 1 | 1 | 1800 | 7/8" | 5.12" | M07652 |
| B70110 | 1 | 3 | 1800 | 7/8" | 5.12" | M07652 |
| B70078 | 1.5 | 1 | 1800 | 7/8" | 5.75" | M07653 |
| B70111 | 1.5 | 3 | 1800 | 7/8" | 5.75" | M07653 |
| B70081 | 2 | 1 | 1800 | 7/8" | 6.25" | M07654 |
| B70112 | 2 | 3 | 1800 | 7/8" | 6.25" | M07654 |
| B70379 | 3 | 1 | 1800 | 7/8" | 6.50" | M02959 |
| B70113 | 3 | 3 | 1800 | 7/8" | 6.50" | M02959 |



| Item No. | Part Description | Part Number |
|----------|------------------------------------|--------------|
| 1 | Case, Volute | H05129 |
| 2 | Impeller | See Table I |
| 13 | Rings, Packing (Set of 6) | S13469 |
| 14 | Sleeve, Shaft (2 Req.) | S00619 |
| 17 | Gland, Packing | B82469 |
| 26 | Screw, Impeller 3/8 - 16 x 1" | S23566 |
| 32 | Key, 3/16 x 1-1/4" (See Note) | S34383 |
| 69 | Washer, Impeller | S06314 |
| 71 | Bracket | See Table II |
| 73 | Gasket, Volute | S04757 |
| 800 | Capscrew, 3/8 - 16 x 7/8" (4 Req.) | S26825 |
| 801A | Stud, 1/2 - 13 x 1-1/2" (4 Req.) | S24043 |
| 801B | Stud, 3/8 - 16 x 4" (2 Req.) | S08303 |
| 802A | Nut, Hex 1/2 - 13 (4 Req.) | S23107 |
| 802B | Nut, Hex 3/8 - 16 (2 Req.) | S23343 |
| 805 | Washer, Lock | S23036 |
| 810 | Plug, Pipe 1/4 NPT | S23715 |

TABLE II

| HP | PH | Bracket No. | "AK" Fit | "U" Dim. | Motor Frame |
|-----|----|-------------|----------|----------|-------------|
| 1 | 1 | L01525 | 4-1/2" | 7/8" | 143JP |
| 1 | 3 | L01525 | 4-1/2" | 7/8" | 143JP |
| 1.5 | 1 | L01525 | 4-1/2" | 7/8" | 145JP |
| 1.5 | 3 | L01525 | 4-1/2" | 7/8" | 145JP |
| 2 | 1 | L01525 | 4-1/2" | 7/8" | 182JP |
| 2 | 3 | L01525 | 4-1/2" | 7/8" | 145JP |
| 3 | 1 | L01525 | 4-1/2" | 7/8" | 184JP |
| 3 | 3 | L01525 | 4-1/2" | 7/8" | 182JP |

NOTE: For an explanation of the tabulated material found on this page and for impeller key location, refer to **Supplement A** located at the beginning of this section.