



TYPE "B" SINGLE STAGE CENTRIFUGAL PUMP Electric Motor Drive

| | |
|-------------------|-----------------|
| Section | CC |
| Page | 170.4 |
| Date | January 1, 2004 |
| Supersedes 6/1/95 | |

BRONZE IMPELLER

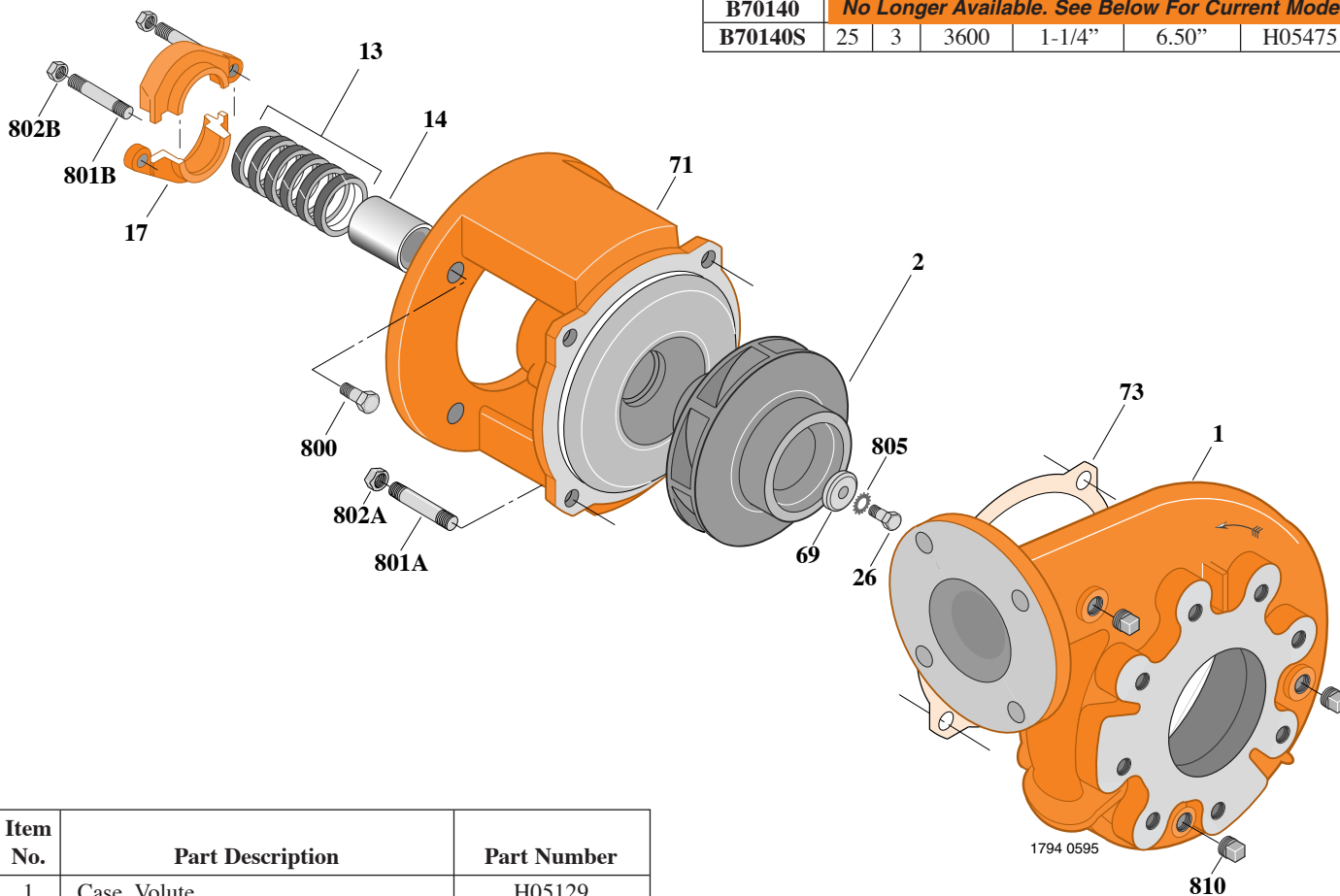
B3TPH

Flanged Case

Packing Construction

TABLE I

| B/M No. | HP | PH | RPM | "U" Dim. | Imp. Dia. | Imp. No. |
|---------|--|----|------|----------|-----------|----------|
| B70140 | No Longer Available. See Below For Current Model. | | | | | |
| B70140S | 25 | 3 | 3600 | 1-1/4" | 6.50" | H05475 |



| Item No. | Part Description | Part Number |
|----------|----------------------------------|--------------|
| 1 | Case, Volute | H05129 |
| 2 | Impeller | See Table I |
| 13 | Rings, Packing (Set of 6) | S13470 |
| 14 | Sleeve, Shaft | S05149 |
| 17 | Gland, Packing | B82470 |
| 26 | Screw, Impeller 1/2 - 13 x 1" | S23619 |
| 32 | Key, 1/4 x 2-1/4" (See Note) | S23677 |
| 69 | Washer, Impeller | S06319 |
| 71 | Bracket | See Table II |
| 73 | Gasket, Volute | S04757 |
| 800 | Capscrew, 1/2 - 13 x 1" (4 Req.) | S26912 |
| 801A | Stud, 1/2 - 13 x 1-1/2" (4 Req.) | S23043 |
| 801B | Stud, 3/8 - 16 x 3-1/2" (2 Req.) | S04441 |
| 802A | Nut, Hex 1/2 - 13 (4 Req.) | S23017 |
| 802B | Nut, Hex 3/8 - 16 (2 Req.) | S23343 |
| 805 | Washer, Lock | S23038 |
| 810 | Plug, Pipe 1/4 NPT (5 Req.) | S23715 |

TABLE II

| HP | PH | Bracket No. | "AK" Fit | "U" Dim. | Motor Frame |
|----|----|-------------|----------|----------|-------------|
| 25 | 3 | L01951 | 8-1/2" | 1-1/4" | 256JP |

NOTE: For an explanation of the tabulated material found on this page and for impeller key location, refer to *Supplement A* located at the beginning of this section.