



TYPE "B" SINGLE STAGE CENTRIFUGAL PUMP Electric Motor Drive

Section	CC
Page	170.5
Date	May 15, 2009
Supersedes 1/1/04	

BRONZE IMPELLER

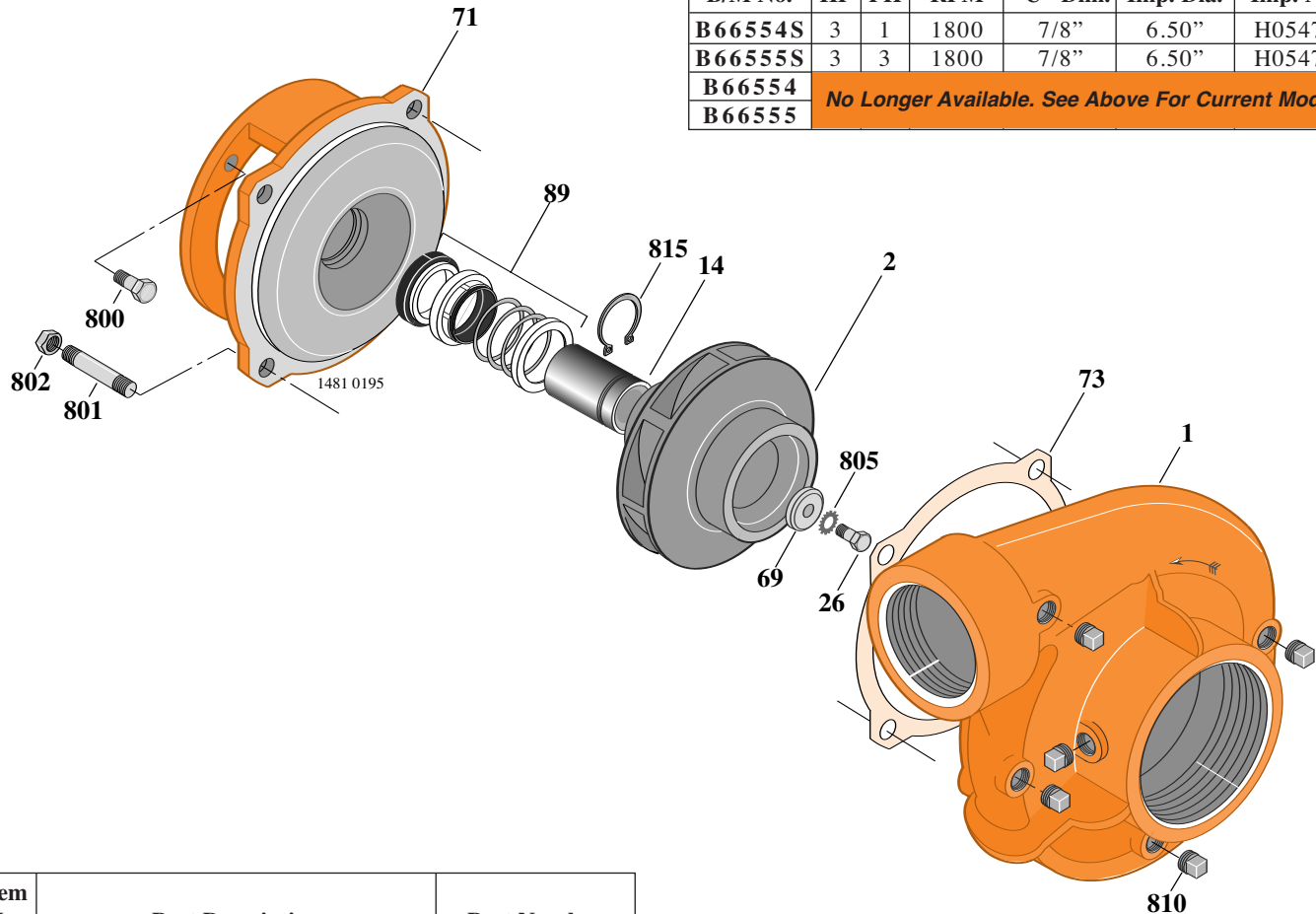
B3TPHS

Threaded Case (NPT)

Mechanical Shaft Seal Construction

TABLE I

B/M No.	HP	PH	RPM	"U" Dim.	Imp. Dia.	Imp. No.
B66554S	3	1	1800	7/8"	6.50"	H05474
B66555S	3	3	1800	7/8"	6.50"	H05474
B66554	<i>No Longer Available. See Above For Current Model.</i>					
B66555	<i>No Longer Available. See Above For Current Model.</i>					



Item No.	Part Description	Part Number
1	Case, Volute	L01104
2	Impeller	See Table I
14	Sleeve, Shaft (See Note 2)	S19310L
26	Screw, Impeller 3/8 - 16 x 1"	S23566
32	Key, 3/16 x 1-1/4" (See Note 1)	S34383
69	Washer, Impeller	S06314
71	Bracket	See Table II
73	Gasket, Volute	S04757
89	Seal, Mechanical Shaft	S32014
800A	Capscrew, 3/8 - 16 x 1"	S23566
800B	Capscrew, 3/8 - 16 x 1" (4 Req.)	S26826
801	Stud, 1/2 - 13 x 1-1/2" (4 Req.)	S24043
802	Nut, 1/2 - 13 (4 Req.)	S23107
805	Washer, Lock	S23036
810	Plug, Pipe (5 Req.)	S23715
815	Ring, Retaining	S11207

TABLE II

HP	PH	Bracket No.	"AK" Fit	"U" Dim.	Motor Frame
3	1	L05329	4-1/2"	7/8"	184JM
3	3	L05329	4-1/2"	7/8"	182JM

NOTE 1: For an explanation of the tabulated material found on this page and for impeller key location, refer to *Supplement A* located at the beginning of this section.

NOTE 2: Sleeve replacement kit available. Berkeley part number B85681 includes the shaft sleeve, adhesive compound and instruction sheet.