



# Type "B" Single Stage Centrifugal Pump Electric Motor Drive

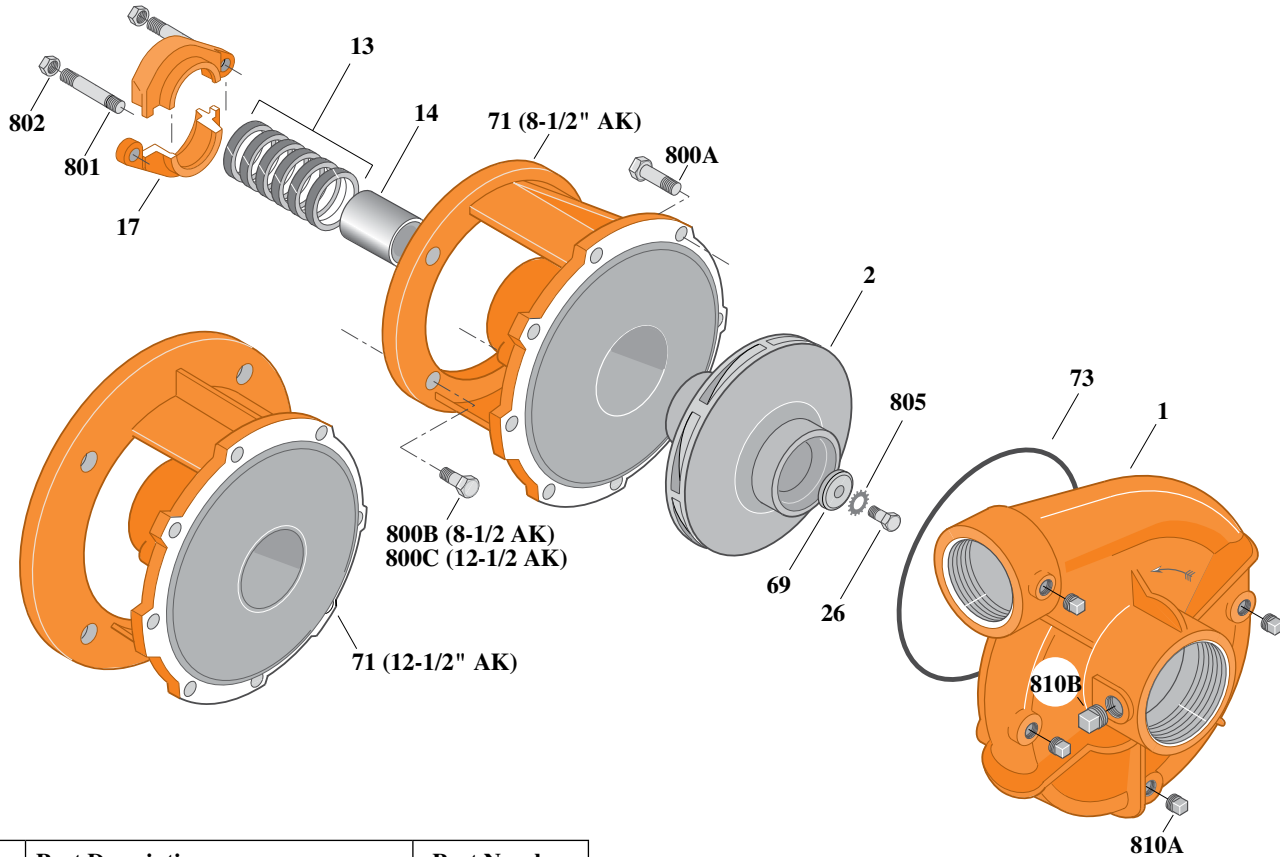
Section	CC
Page	180.6.1
Date	July 1, 2011
Supersedes 1/1/04	

## SILICON BRONZE IMPELLER

## B3ZPL

### Threaded Case (NPT)

### Packing Construction



Item	Part Description	Part Number
1	Case, Volute	H00689
2	Impeller	See Table I
13	Rings, Packing (Set of 6)	S13470
14	Sleeve, Shaft	S05149L
17	Gland, Packing	B82470
26	Screw, Impeller 1/2 - 13 x 1-1/2"	S23623
32	Key, 1/4 x 2-1/4" (See Note 1)	S23677
69	Washer, Impeller	S06319
71	Bracket	See Table II
73	O-Ring (See Note 2)	M14943
800A	Capscrew, 3/8 - 16 x 1-1/8" (8 Req.)	S26827
800B	Capscrew, 1/2 - 13 x 1-1/2" (4 Req.)	S26916
800C	Capscrew, 5/8 - 11 x 1-1/2" (4 Req.)	S26999
801	Stud, 3/8 - 16 x 4" (2 Req.)	S08303
802	Nut, Hex 3/8 - 16 (2 Req.)	S23343
805	Washer, Lock	S23038
810A	Plug, Pipe 1/4 NPT (4 Req.)	S23715
810B	Plug, Pipe 1/2 NPT	S23717

Table I

B/M No.	HP	PH	RPM	"U" Dim.	Imp. Dia.	Imp. No.
B66674S	20	3	3600	1-1/4"	6.75"	H05484
B66688S	25	3	3600	1-1/4"	7.25"	H05485
B66694S	30	3	3600	1-1/4"	7.75"	H05486
B66700S	40	3	3600	1-1/4"	8.62"	H05487
B66845S	50	3	3600	1-1/4"	9.00"	H05488

Table II

HP	PH	Bracket No.	"AK" Fit	"U" Dim.	Motor Frame
20	3	L03827	8-1/2"	1-1/4"	254JP
25	3	L03827	8-1/2"	1-1/4"	256JP
30	3	L01563	12-1/2"	1-1/4"	284JP
40	3	L01563	12-1/2"	1-1/4"	286JP
50	3	L01563	12-1/2"	1-1/4"	324JP

**NOTE 1:** For an explanation of the tabulated material found on this page and for impeller key location, refer to *Supplement A* located at the beginning of this section.

**NOTE 2:** Also accepts gasket S05126 as replacement for o-ring. See *Supplement E* located at the beginning of this section.