



Type "B" Single Stage Centrifugal Pump Electric Motor Drive

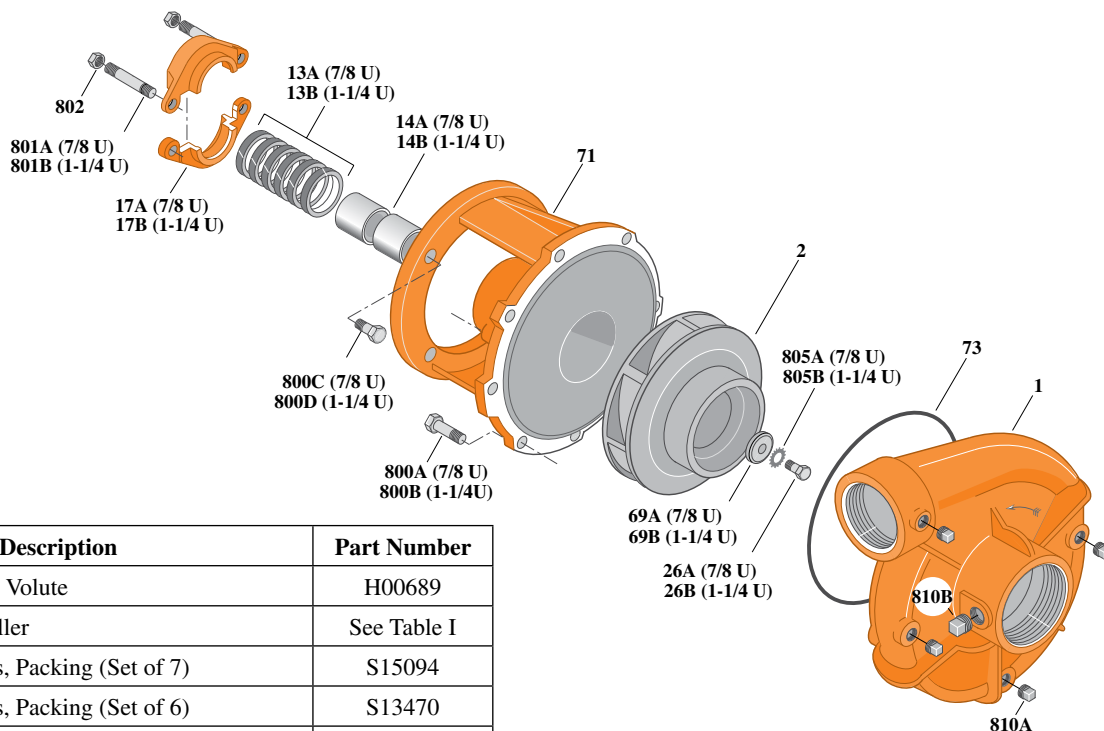
| | |
|-------------------|--------------|
| Section | CC |
| Page | 190.1 |
| Date | July 1, 2011 |
| Supersedes 1/1/04 | |

CAST IRON IMPELLER

B3ZPM

Threaded Case (NPT)

Packing Construction



| Item | Part Description | Part Number |
|------|--------------------------------------|--------------|
| 1 | Case, Volute | H00689 |
| 2 | Impeller | See Table I |
| 13A | Rings, Packing (Set of 7) | S15094 |
| 13B | Rings, Packing (Set of 6) | S13470 |
| 14A | Sleeve, Shaft (2 Req.) | S00619L |
| 14B | Sleeve, Shaft | S05149L |
| 17A | Gland, Packing | B82469 |
| 17B | Gland, Packing | B82470 |
| 26A | Screw, Impeller 3/8 - 16 x 1" | S23566 |
| 26B | Screw, Impeller 1/2 - 13 x 1" | S23619 |
| 32A | Key, 3/16 x 1-1/4" (See Note1) | S34383 |
| 32B | Key, 1/4 x 2-1/4" (See Note1) | S23677 |
| 69A | Washer, Impeller | S06314 |
| 69B | Washer, Impeller | S06319 |
| 71 | Bracket | See Table II |
| 73 | O-Ring (See Note 2) | M14943 |
| 800A | Capscrew, 3/8 - 16 x 1" (12 Req.) | S26826 |
| 800B | Capscrew, 3/8 - 16 x 1-1/8" (8 Req.) | S26827 |
| 800C | Capscrew, 1/2 - 13 x 1-1/2" (4 Req.) | S26916 |
| 801A | Stud, 3/8 - 16 x 3" (2 Req.) | S04439 |
| 801B | Stud, 3/8 - 16 x 4" (2 Req.) | S08303 |
| 802 | Nut, Hex 3/8 - 16 (2 Req.) | S23343 |
| 805A | Washer, Lock | S23036 |
| 805B | Washer, Lock | S23038 |
| 810A | Plug, Pipe 1/4 NPT (4 Req.) | S23715 |
| 810B | Plug, Pipe 1/2 NPT | S23717 |

Table I

| B/M No. | HP | PH | RPM | "U" Dim. | Imp. Dia. | Imp. No. |
|---------|----|----|------|----------|-----------|----------|
| B53820 | 3 | 1 | 1800 | 7/8" | 6.06" | M07709 |
| B53823 | 3 | 3 | 1800 | 7/8" | 6.06" | M07709 |
| B53821 | 5 | 1 | 1800 | 1-1/4" | 7.00" | M07711 |
| B53824 | 5 | 3 | 1800 | 7/8" | 7.00" | M07710 |

Table II

| HP | PH | Bracket No. | "AK" Fit | "U" Dim. | Motor Frame |
|----|----|-------------|----------|----------|-------------|
| 3 | 1 | H00950 | 4-1/2" | 7/8" | 184JP |
| 3 | 3 | H00950 | 4-1/2" | 7/8" | 182JP |
| 5 | 1 | L03827 | 8-1/2" | 1-1/4" | 213JP |
| 5 | 3 | H00950 | 4-1/2" | 7/8" | 184JP |

NOTE 1: For an explanation of the tabulated material found on this page and for impeller key location, refer to *Supplement A* located at the beginning of this section.

NOTE 2: Also accepts gasket S05126 as replacement for o-ring. See *Supplement E* located at the beginning of this section.