



Type "B" Single Stage Centrifugal Pump Electric Motor Drive

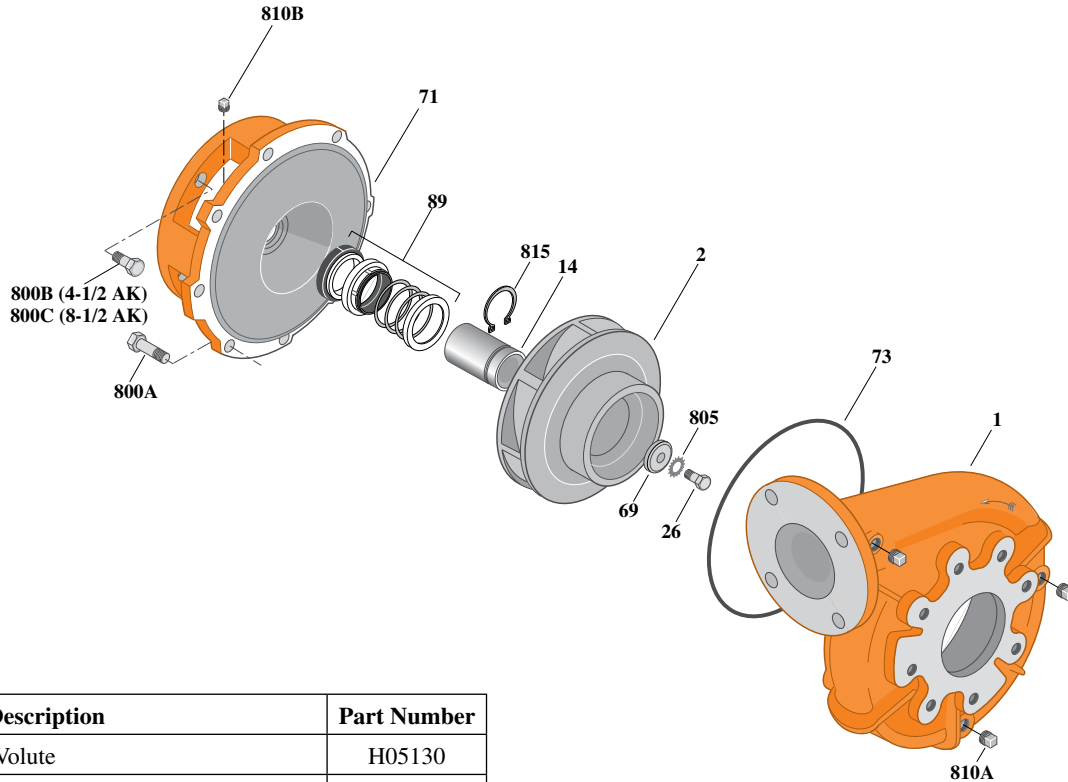
Section	CC
Page	190.16.1
Date	July 1, 2011
Supersedes 1/1/04	

SILICON BRONZE IMPELLER

B3ZPMS

Flanged Case

Mechanical Shaft Seal Construction



Item	Part Description	Part Number
1	Case, Volute	H05130
2	Impeller	See Table I
14	Sleeve, Shaft	S19310L
26	Screw, Impeller 3/8 - 16 x 1"	S23566
32	Key, 3/16 x 1-1/4" (See Note 1)	S34383
69	Washer, Impeller	S06314
71	Bracket	See Table II
73	O-Ring (See Note 2)	M14943
89	Seal, Mechanical Shaft	S32014
800A	Capscrew, 3/8 - 16 x 1" (12 Req.) (4-1/2 AK) (Use for Motor and Volute)	S26826
800A	Capscrew, 3/8 - 16 x 1" (8 Req.) (8-1/2 AK) (Use for Volute Only)	S26826
800B	Capscrew, 1/2 - 13 x 1" (4 Req.)	S26912
805	Washer, Lock	S23036
810	Plug, Pipe 1/4 NPT (3 Req.)	S23715
815	Ring, Retaining	S11207

Table I

B/M No.	HP	PH	RPM	"U" Dim.	Imp. Dia.	Imp. No.
B71940S	3	1	1800	7/8"	6.06"	H05480
B71941S	3	3	1800	7/8"	6.06"	H05480
B71942S	5	1	1800	7/8"	7.00"	H05481
B71943S	5	3	1800	7/8"	7.00"	H05481
B71944S	7.5	1	1800	7/8"	7.88"	H05482
B71945S	7.5	3	1800	7/8"	7.88"	H05482
B71946S	10	1	1800	7/8"	8.44"	H05483
B71947S	10	3	1800	7/8"	8.44"	H05483

Table II

HP	PH	Bracket No.	"AK" Fit	"U" Dim.	Motor Frame
3	1	L05332	4-1/2"	7/8"	184JM
3	3	L05332	4-1/2"	7/8"	182JM
5	1	L05331	8-1/2"	7/8"	213JM
5	3	L05332	4-1/2"	7/8"	184JM
7.5	1	L05331	8-1/2"	7/8"	215JM
7.5	3	L05331	8-1/2"	7/8"	213JM
10	1	L05331	8-1/2"	7/8"	215JM
10	3	L05331	8-1/2"	7/8"	215JM

NOTE 1: For an explanation of the tabulated material found on this page and for impeller key location, refer to **Supplement A** located at the beginning of this section.

NOTE 2: Also accepts gasket S05126 as replacement for o-ring. See **Supplement E** located at the beginning of this section.