

**TYPE "B" SINGLE STAGE  
CENTRIFUGAL PUMP  
Electric Motor Drive**

Section	CC
Page	20.3
Date	January 1, 2004
Supersedes 6/1/95	

**BRONZE IMPELLER**

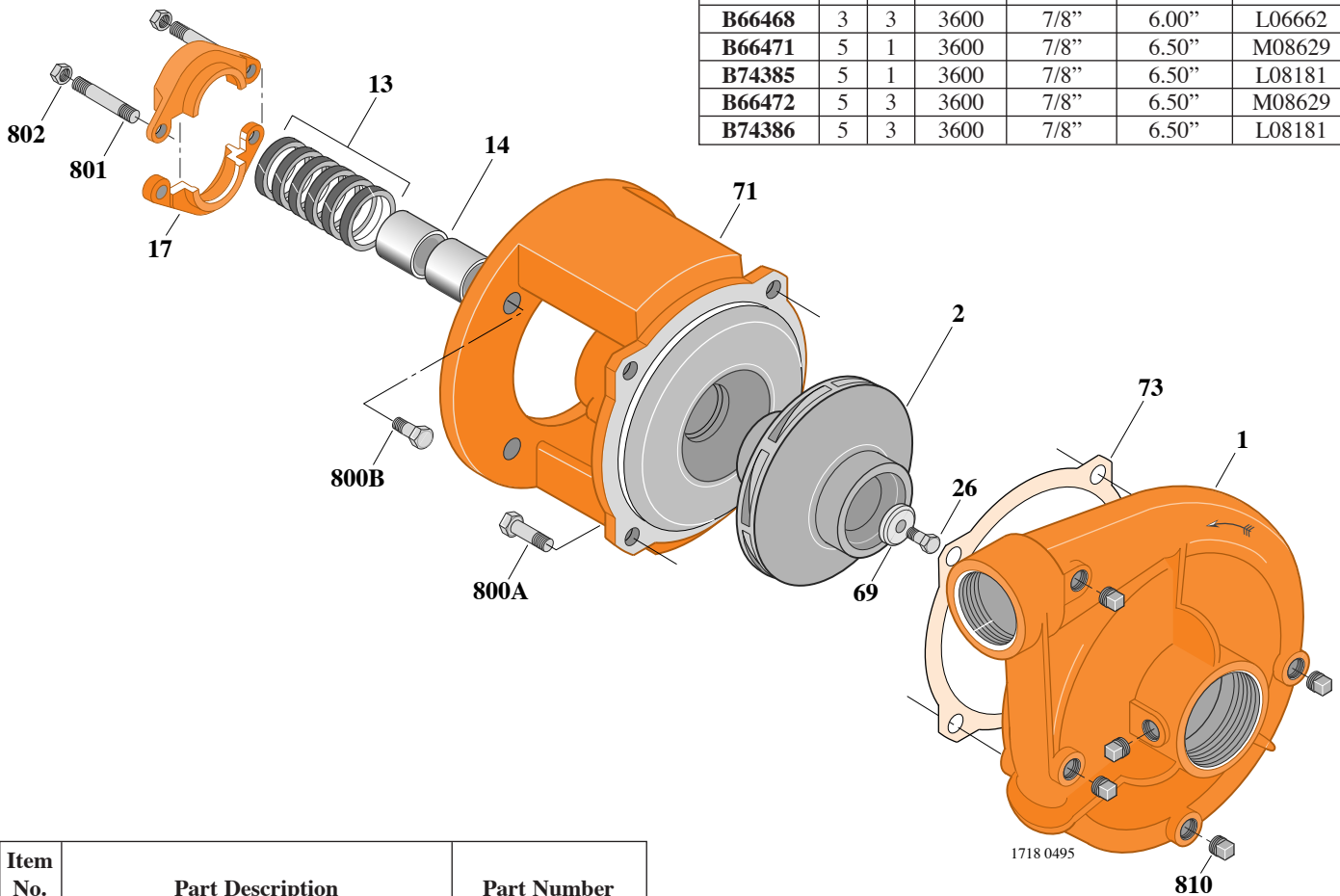
**B1-1/2TPL**

Threaded Case (NPT)

Packing Construction

**TABLE I**

B/M No.	HP	PH	RPM	"U" Dim.	Imp. Dia.	Imp. No.
B66467	3	1	3600	7/8"	6.00"	L06662
B66468	3	3	3600	7/8"	6.00"	L06662
B66471	5	1	3600	7/8"	6.50"	M08629
B74385	5	1	3600	7/8"	6.50"	L08181
B66472	5	3	3600	7/8"	6.50"	M08629
B74386	5	3	3600	7/8"	6.50"	L08181



Item No.	Part Description	Part Number
1	Case, Volute	L01018
2	Impeller	See Table I
13	Rings, Packing (Set of 6)	S13469
14	Sleeve, Shaft (2 Req.)	S00619
17	Gland, Packing	B82469
26	Screw, Impeller 3/8 - 16 x 1"	S23566
32	Key, 3/16 x 1-1/4" (See Note)	S34383
69	Washer, Impeller	S16239
71	Bracket	See Table II
73	Gasket, Volute	S04757
800A	Capscrew, 1/2 - 13 x 1" (4 Req.)	S26912
800B	Capscrew, 3/8 - 16 x 7/8" (4 Req.)	S26825
801	Stud, 3/8 - 16 x 4" (2 Req.)	S08303
802	Nut, Hex 3/8 - 16 (2 Req.)	S23343
810	Plug, Pipe 1/4 NPT (5 Req.)	S23715

**TABLE II**

HP	PH	Bracket No.	"AK" Fit	"U" Dim.	Motor Frame
3	1	L01525	4-1/2"	7/8"	182JP
3	3	L01525	4-1/2"	7/8"	145JP
5	1	L01525	4-1/2"	7/8"	184JP
5	3	L01525	4-1/2"	7/8"	182JP

**NOTE:** For an explanation of the tabulated material found on this page and for impeller key location, refer to *Supplement A* located at the beginning of this section.