



Type "B" Single Stage Centrifugal Pump Electric Motor Drive

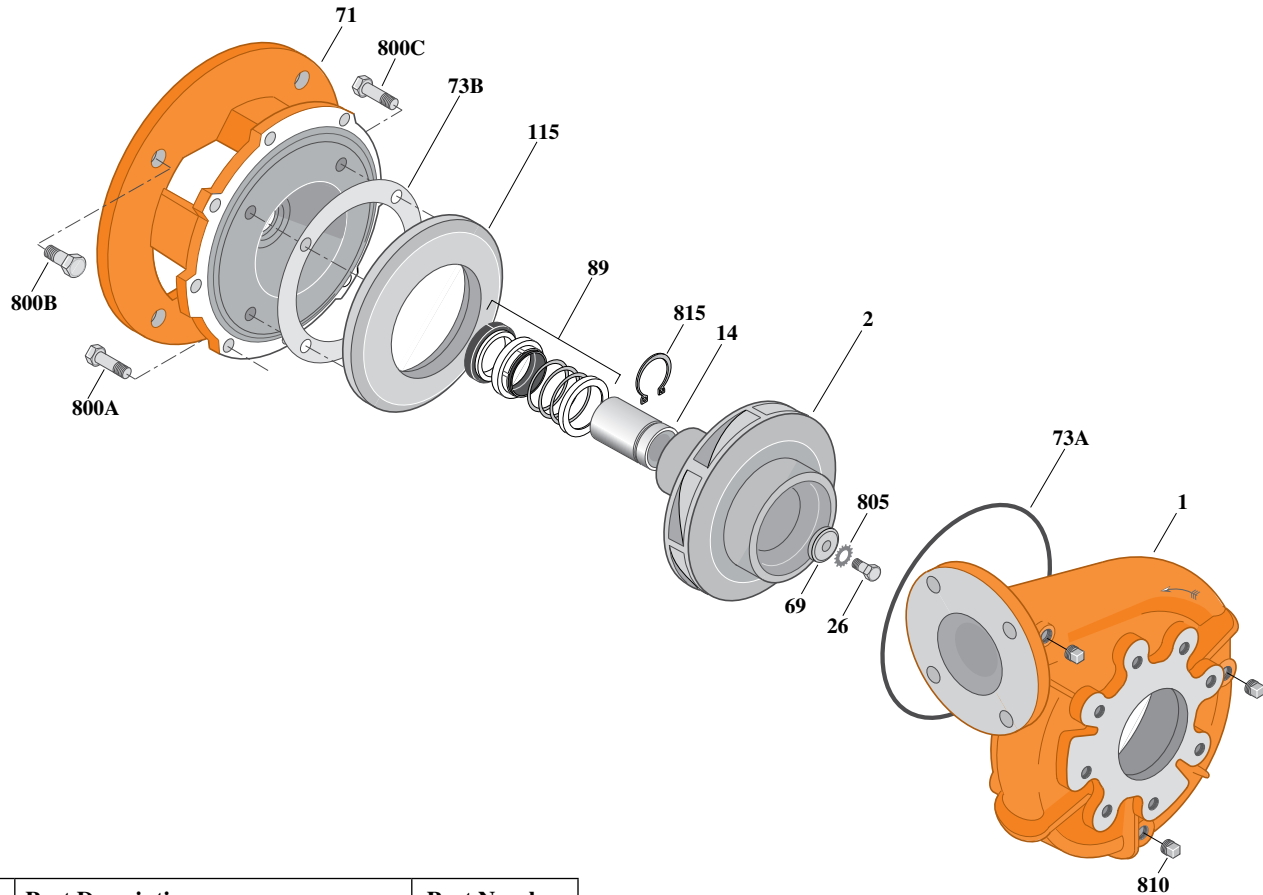
Section	CC
Page	200.9
Date	July 1, 2011
Supersedes 1/1/04	

BRONZE IMPELLER

B3ZPBHS

Flanged Case

Mechanical Shaft Seal Construction



Item	Part Description	Part Number
1	Case, Volute	H05238
2	Impeller	See Table I
14	Sleeve, Shaft	S18869L
26	Screw, Impeller 1/2 - 13 x 1-3/4"	S23625
32	Key, 1/4 x 2-1/4" (See Note 1)	S23677
69	Washer, Impeller	S18117
71	Bracket	See Table II
73A	O-Ring (See Note 2)	M14943
73B	Gasket, Balance Ring	S09943
89	Seal, Mechanical Shaft	S32015
115	Ring, Balance	S19911
800A	Capscrew, 3/8 - 16 x 1" (8 Req.)	S26826
800B	Capscrew, 5/8 - 11 x 1-1/2" (4 Req.)	S26999
800C	Capscrew, 3/8 - 16 x 7/8" (4 Req.)	S26825
805	Washer, Lock	S23038
810	Plug, Pipe 1/4 NPT (4 Req.)	S23715
815	Ring, Retaining	S16767

Table I

B/M No.	HP	PH	RPM	"U" Dim.	Imp. Dia.	Imp. No.
B76758	30	3	3600	1-1/4"	7.12"	M11550
B76759	40	3	3600	1-1/4"	7.81"	M11551
B76760	50	3	3600	1-1/4"	8.31"	M11552
B76761	60	3	3600	1-1/4"	8.81"	M11553

Table II

HP	PH	Bracket No.	"AK" Fit	"U" Dim.	Motor Frame
30	3	L05515	12-1/2"	1-1/4"	284JM
40	3	L05515	12-1/2"	1-1/4"	286JM
50	3	L05515	12-1/2"	1-1/4"	324JM
60	3	L05515	12-1/2"	1-1/4"	326JM

NOTE 1: For an explanation of the tabulated material found on this page and for impeller key location, refer to *Supplement A* located at the beginning of this section.

NOTE 2: Also accepts gasket S05126 as replacement for o-ring. See *Supplement E* located at the beginning of this section.