



TYPE "B" SINGLE STAGE CENTRIFUGAL PUMP Electric Motor Drive

Section	CC
Page	210.7
Date	January 1, 2004
Supersedes/New	

BRONZE IMPELLER

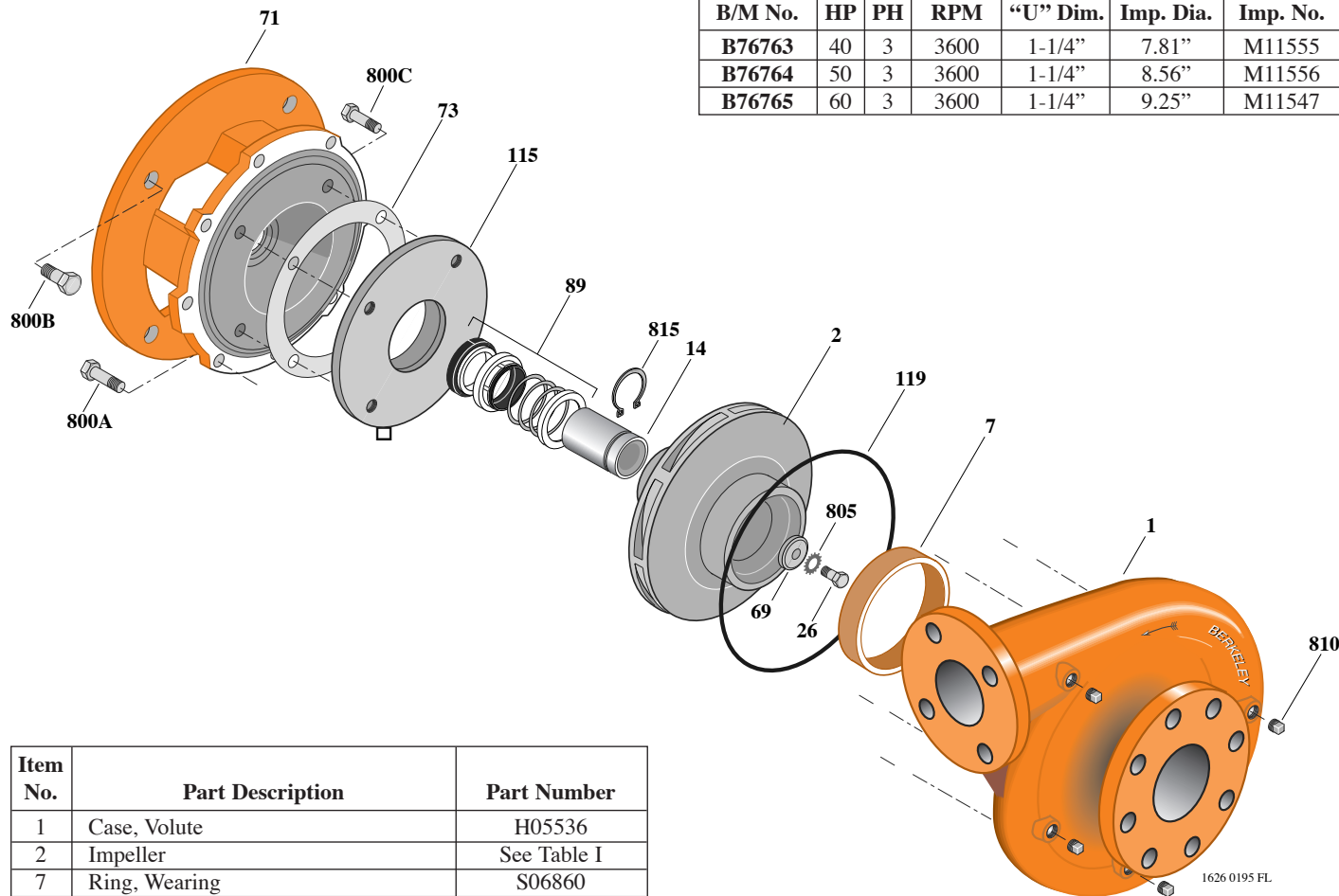
B3EPBLS

Flanged Case

Mechanical Shaft Seal Construction

TABLE I

B/M No.	HP	PH	RPM	"U" Dim.	Imp. Dia.	Imp. No.
B76763	40	3	3600	1-1/4"	7.81"	M11555
B76764	50	3	3600	1-1/4"	8.56"	M11556
B76765	60	3	3600	1-1/4"	9.25"	M11547



Item No.	Part Description	Part Number
1	Case, Volute	H05536
2	Impeller	See Table I
7	Ring, Wearing	S06860
14	Sleeve, Shaft	S18869
26	Screw, Impeller 1/2 - 13 x 1-1/2"	S23623
32	Key, 1/4 x 2-1/4" (See Note)	S23677
69	Washer, Impeller	S18117
71	Bracket	See Table II
73	Gasket, Balance Ring	S09943
89	Seal, Mechanical Shaft	S32015
105	Washer, Lock	S23038
115	Ring, Balance	L05262
119	O-Ring	S13760
800A	Capscrew, 1/2 - 13 x 1-1/4" (8 Req.)	S26914
800B	Capscrew, 5/8 - 11 x 1-1/2" (4 Req.)	S26999
800C	Capscrew, 3/8 - 16 x 3/4" (4 Req.)	S26824
805	Washer, Lock	S23038
810A	Plug, Pipe 1/4 NPT (4 Req.)	S23715
810B	Plug, Pipe 1/2 NPT	S23717
815	Ring, Retaining	S16767

TABLE II

HP	PH	Bracket No.	"AK" Fit	"U" Dim.	Motor Frame
40	3	L04628	12-1/2"	1-1/4"	286JM
50	3	L04628	12-1/2"	1-1/4"	324JM
60	3	L04628	12-1/2"	1-1/4"	326JM

NOTE: For an explanation of the tabulated material found on this page and for impeller key location, refer to *Supplement A* located at the beginning of this section.