



TYPE "B" SINGLE STAGE
CENTRIFUGAL PUMP
Electric Motor Drive

Section	CC
Page	220.1
Date	January 1, 2004
Supersedes 6/1/95	

CAST IRON IMPELLER

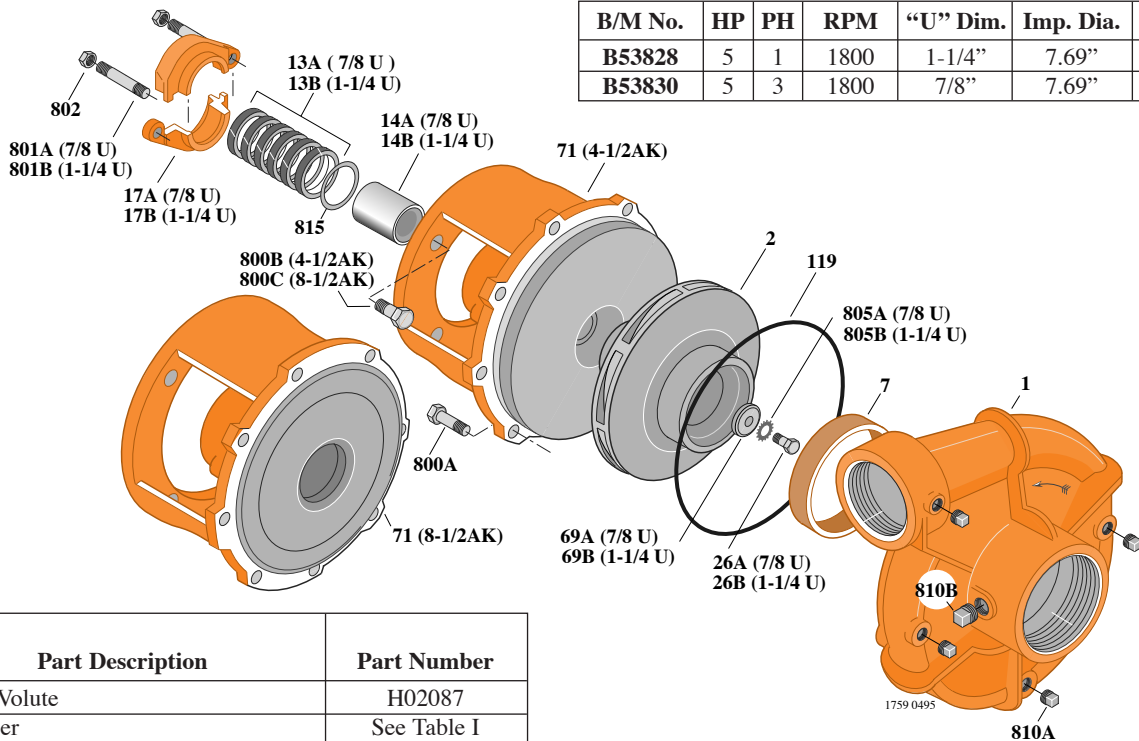
B3EPM

Threaded Case (NPT)

Packing Construction

TABLE I

B/M No.	HP	PH	RPM	"U" Dim.	Imp. Dia.	Imp. No.
B53828	5	1	1800	1-1/4"	7.69"	M07697
B53830	5	3	1800	7/8"	7.69"	M07698



Item No.	Part Description	Part Number
1	Case, Volute	H02087
2	Impeller	See Table I
7	Ring, Wearing	S13045
13A	Rings, Packing (Set of 7)	S15094
13B	Rings, Packing (Set of 6)	S13470
14A	Sleeve, Shaft (2 Req.)	S00619
14B	Sleeve, Shaft	S05149
17A	Gland, Packing	B82469
17B	Gland, Packing	B82470
26A	Screw, Impeller 3/8 - 16 x 1-1/4"	S23568
26B	Screw, Impeller 1/2 - 13 x 1-3/4"	S23625
32A	Key, 3/16 x 1-1/4" (See Note)	S34383
32B	Key, 1/4 x 2-1/4" (See Note)	S23677
69A	Washer, Impeller	S06314
69B	Washer, Impeller	S06319
71	Bracket	See Table II
119	O-Ring	S13760
800A	Capscrew, 1/2 - 13 x 1-1/4" (8 Req.)	S26914
800B	Capscrew, 3/8 - 16 x 1" (4 Req.)	S26826
800C	Capscrew, 1/2 - 13 x 1-1/2" (4 Req.)	S26916
801A	Stud, 3/8 - 16 x 3" (2 Req.)	S04439
801B	Stud, 3/8 - 16 x 2-1/2" (2 Req.)	S04438
802	Nut, Hex 3/8 - 16 (2 Req.)	S23343
805A	Washer, Lock	S23026
805B	Washer, Lock	S23038
810A	Plug, Pipe 1/4 NPT (4 Req.)	S23715
810B	Plug, Pipe 1/2 NPT	S23717
815	Ring, Retainer	S08778

TABLE II

HP	PH	Bracket No.	"AK" Fit	"U" Dim.	Motor Frame
5	1	L03637	8-1/2"	1-1/4"	213JP
5	3	L05114	4-1/2"	7/8"	184JP

NOTE: For an explanation of the tabulated material found on this page and for impeller key location, refer to *Supplement A* located at the beginning of this section.