



# TYPE "B" SINGLE STAGE CENTRIFUGAL PUMP Electric Motor Drive

|                   |                 |
|-------------------|-----------------|
| Section           | CC              |
| Page              | 220.2           |
| Date              | January 1, 2004 |
| Supersedes 6/1/95 |                 |

**CAST IRON IMPELLER**

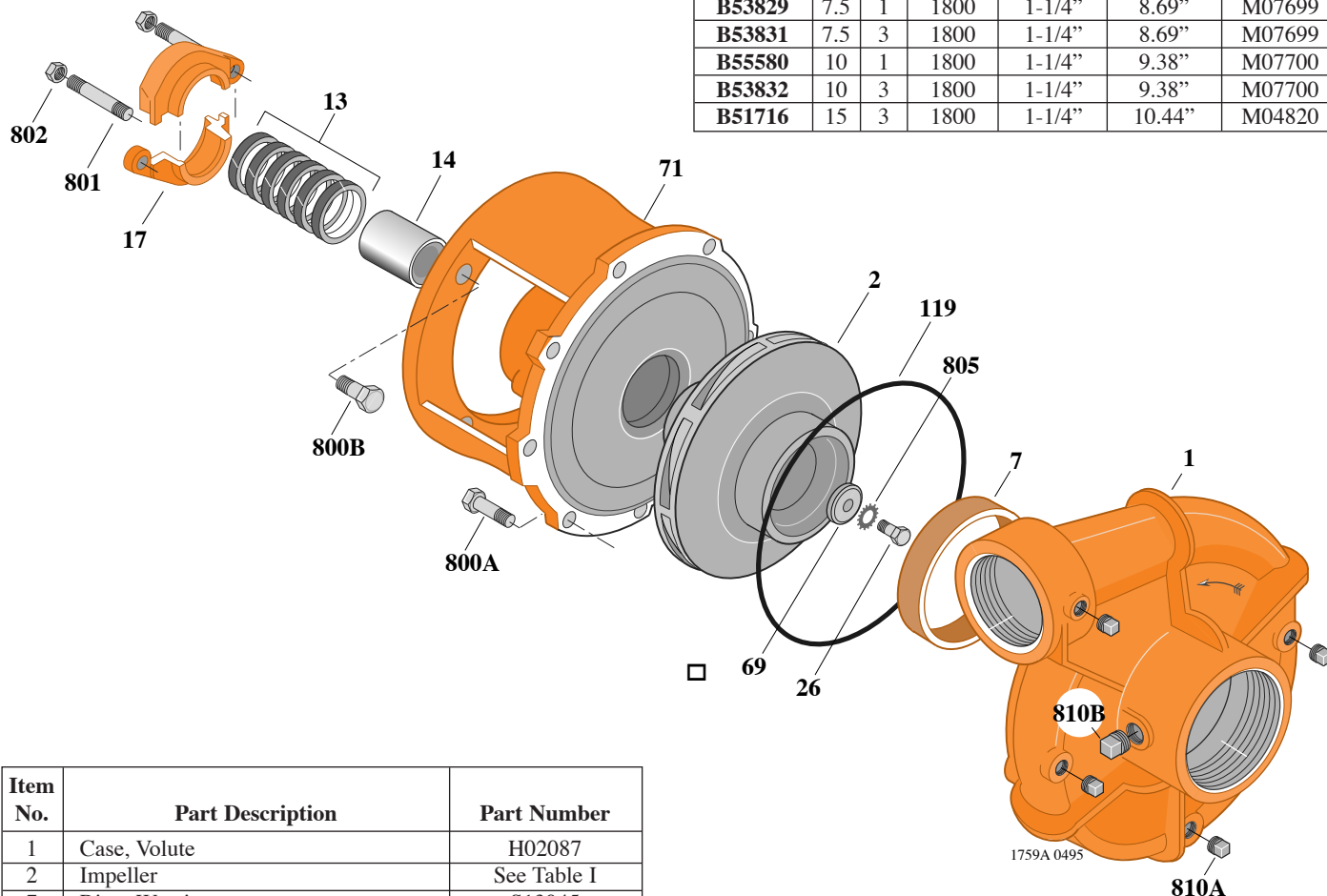
**B3EPM**

**Threaded Case (NPT)**

**Packing Construction**

**TABLE I**

| B/M No. | HP  | PH | RPM  | "U" Dim. | Imp. Dia. | Imp. No. |
|---------|-----|----|------|----------|-----------|----------|
| B53829  | 7.5 | 1  | 1800 | 1-1/4"   | 8.69"     | M07699   |
| B53831  | 7.5 | 3  | 1800 | 1-1/4"   | 8.69"     | M07699   |
| B55580  | 10  | 1  | 1800 | 1-1/4"   | 9.38"     | M07700   |
| B53832  | 10  | 3  | 1800 | 1-1/4"   | 9.38"     | M07700   |
| B51716  | 15  | 3  | 1800 | 1-1/4"   | 10.44"    | M04820   |



| Item No. | Part Description                     | Part Number  |
|----------|--------------------------------------|--------------|
| 1        | Case, Volute                         | H02087       |
| 2        | Impeller                             | See Table I  |
| 7        | Ring, Wearing                        | S13045       |
| 13       | Rings, Packing (Set of 6)            | S13470       |
| 14       | Sleeve, Shaft                        | S05149       |
| 17       | Gland, Packing                       | B82470       |
| 26       | Screw, Impeller 1/2 - 13 x 1-3/4"    | S23625       |
| 32       | Key, 1/4 x 2-1/4" (See Note)         | S23677       |
| 69       | Washer, Impeller                     | S06319       |
| 71       | Bracket                              | See Table II |
| 119      | O-Ring                               | S13760       |
| 800A     | Capscrew, 1/2 - 13 x 1-1/4" (8 Req.) | S26914       |
| 800B     | Capscrew, 1/2 - 13 x 1-1/2" (4 Req.) | S26916       |
| 801      | Stud, 3/8 - 16 x 2-1/2" (2 Req.)     | S04438       |
| 802      | Nut, Hex 3/8 - 16 (2 Req.)           | S23343       |
| 805      | Washer, Lock                         | S23038       |
| 810A     | Plug, Pipe 1/4 NPT (4 Req.)          | S23715       |
| 810B     | Plug, Pipe 1/2 NPT                   | S23717       |

**TABLE II**

| HP  | PH | Bracket No. | "AK" Fit | "U" Dim. | Motor Frame |
|-----|----|-------------|----------|----------|-------------|
| 7.5 | 1  | L03637      | 8-1/2"   | 1-1/4"   | 215JP       |
| 7.5 | 3  | L03637      | 8-1/2"   | 1-1/4"   | 213JP       |
| 10  | 1  | L03637      | 8-1/2"   | 1-1/4"   | 215JP       |
| 10  | 3  | L03637      | 8-1/2"   | 1-1/4"   | 215JP       |
| 15  | 3  | L03637      | 8-1/2"   | 1-1/4"   | 254JP       |

**NOTE:** For an explanation of the tabulated material found on this page and for impeller key location, refer to *Supplement A* located at the beginning of this section.