



# TYPE "B" SINGLE STAGE CENTRIFUGAL PUMP Electric Motor Drive

Section	CC
Page	230.1
Date	January 1, 2004
Supersedes 6/1/95	

## CAST IRON IMPELLER

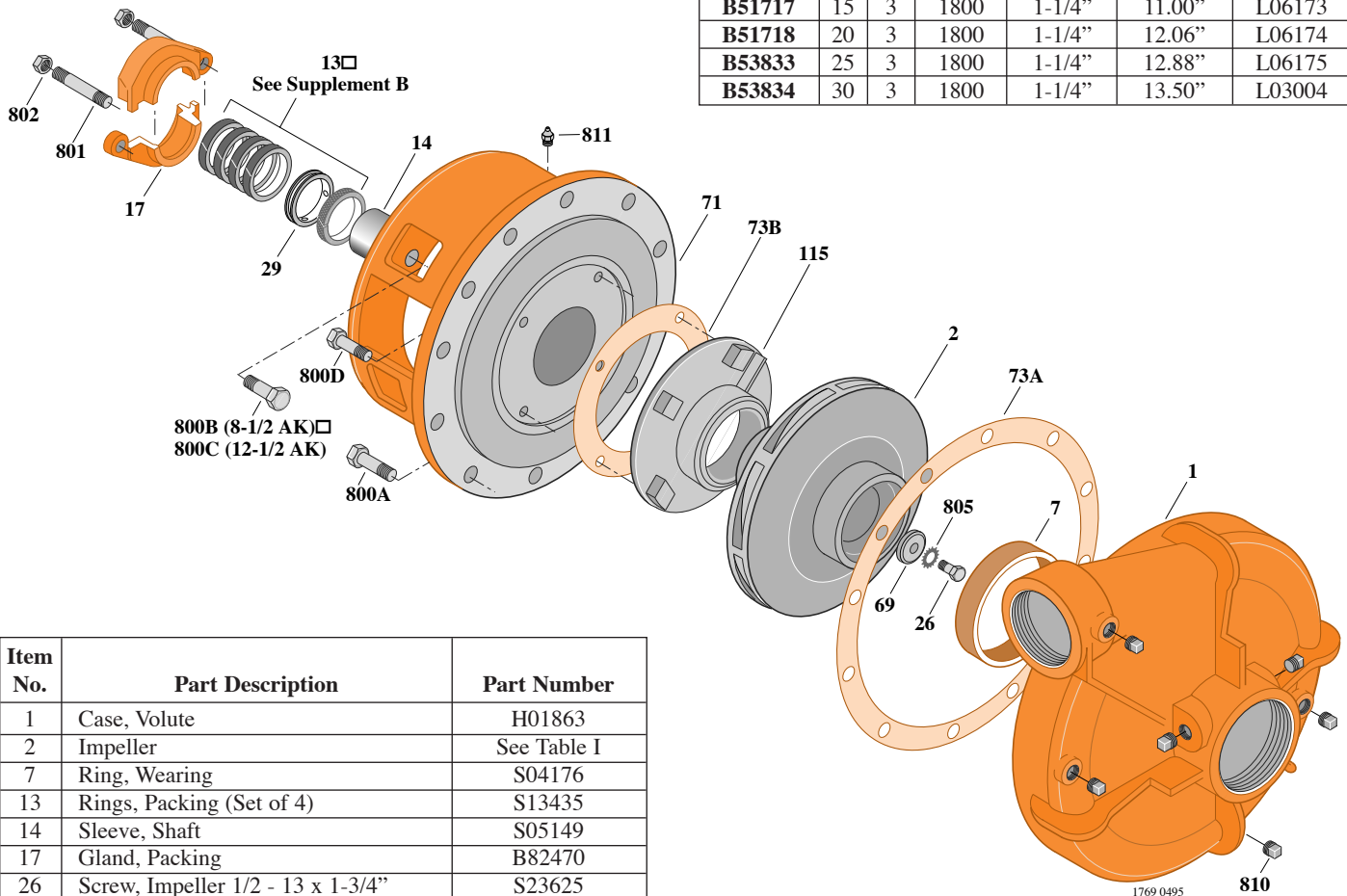
## B3JPBL

### Threaded Case (NPT)

### Packing Construction

TABLE I

B/M No.	HP	PH	RPM	"U" Dim.	Imp. Dia.	Imp. No.
B51717	15	3	1800	1-1/4"	11.00"	L06173
B51718	20	3	1800	1-1/4"	12.06"	L06174
B53833	25	3	1800	1-1/4"	12.88"	L06175
B53834	30	3	1800	1-1/4"	13.50"	L03004



Item No.	Part Description	Part Number
1	Case, Volute	H01863
2	Impeller	See Table I
7	Ring, Wearing	S04176
13	Rings, Packing (Set of 4)	S13435
14	Sleeve, Shaft	S05149
17	Gland, Packing	B82470
26	Screw, Impeller 1/2 - 13 x 1-3/4"	S23625
29	Ring, Lantern	S19200
32	Key, 1/4 x 2-1/4" (See Note)	S23677
69	Washer, Impeller	S06319
71	Bracket	See Table II
73A	Gasket, Volute	S06271
73B	Gasket, Balance Ring	S09943
115	Ring, Balance	M05115
800A	Capscrew, 5/8 - 11 x 1-1/2" (12 Req.)	S26999
800B	Capscrew, 1/2 - 13 x 1-1/2" (4 Req.)	S26916
800C	Capscrew, 3/8 - 16 x 1-1/2" (4 Req.)	S26830
802	Nut, Hex 3/8 - 16 (2 Req.)	S23343
801	Stud, 3/8 - 16 x 2-1/2" (2 Req.)	S04438
805	Washer, Lock	S23038
810	Plug, Pipe 1/2 NPT (6 Req.)	S23717
811	Fitting, Grease	S23700
812	Elbow, Street	S25421

TABLE II

HP	PH	Bracket No.	"AK" Fit	"U" Dim.	Motor Frame
15	3	H02384	8-1/2"	1-1/4"	254JP
20	3	H02384	8-1/2"	1-1/4"	256JP
25	3	H01601	12-1/2"	1-1/4"	284JP
30	3	H01601	12-1/2"	1-1/4"	286JP

**NOTE:** For an explanation of the tabulated material found on this page and for impeller key location, refer to *Supplement A* located at the beginning of this section.

ORDER ONLINE [www.PumpCatalog.com](http://www.PumpCatalog.com)