



# TYPE "B" SINGLE STAGE CENTRIFUGAL PUMP Electric Motor Drive

Section	CC
Page	230.4
Date	January 1, 2004
Supersedes 9/1/97	

## SILICON BRONZE IMPELLER

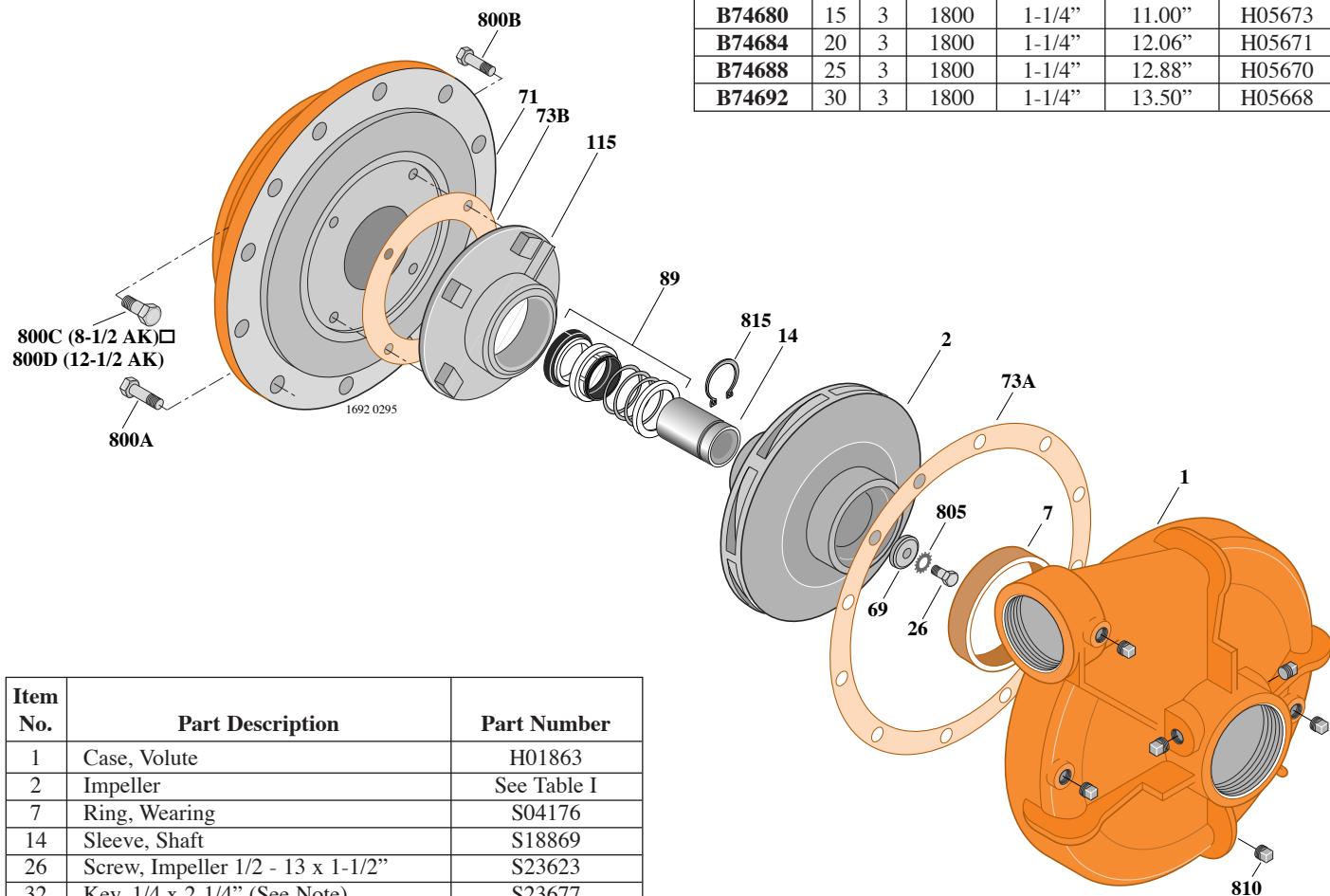
## B3JPBLS

### Threaded Case (NPT)

### Mechanical Shaft Seal Construction

TABLE I

B/M No.	HP	PH	RPM	"U" Dim.	Imp. Dia.	Imp. No.
B74680	15	3	1800	1-1/4"	11.00"	H05673
B74684	20	3	1800	1-1/4"	12.06"	H05671
B74688	25	3	1800	1-1/4"	12.88"	H05670
B74692	30	3	1800	1-1/4"	13.50"	H05668



Item No.	Part Description	Part Number
1	Case, Volute	H01863
2	Impeller	See Table I
7	Ring, Wearing	S04176
14	Sleeve, Shaft	S18869
26	Screw, Impeller 1/2 - 13 x 1-1/2"	S23623
32	Key, 1/4 x 2-1/4" (See Note)	S23677
69	Washer, Impeller	S06319
71	Bracket	See Table II
73A	Gasket, Volute Case	S06271
73B	Gasket, Balance Ring	S09943
89	Seal, Mechanical Shaft	S32015
115	Ring, Balance	M06646
800A	Capscrew, 5/8 - 11 x 1-1/2" (12 Req.)	S26999
800B	Capscrew, 3/8 - 16 x 1" (4 Req.)	S26826
800C	Capscrew, 1/2 - 13 x 1-1/2" (4 Req.)	S26916
800D	Capscrew, 5/8 - 11 x 1-1/2" (4 Req.)	S26999
805	Washer, Lock	S23038
810	Plug, Pipe 1/2" NPT (6 Req.)	S23717
815	Ring, Retaining	S16767
•	Plug, Pipe 1/8" NPT (In Bracket)	S23714

TABLE II

HP	PH	Bracket No.	"AK" Fit	"U" Dim.	Motor Frame
15	3	H03300	8-1/2"	1-1/4"	254JM
20	3	H03300	8-1/2"	1-1/4"	256JM
25	3	H03301	12-1/2"	1-1/4"	284JM
30	3	H03301	12-1/2"	1-1/4"	286JM

**NOTE:** For an explanation of the tabulated material found on this page and for impeller key location, refer to *Supplement A* located at the beginning of this section.

**NOTE:** For seal flush line details, see *Supplement D*.

• Not illustrated.