



Type "B" Single Stage Centrifugal Pump Electric Motor Drive

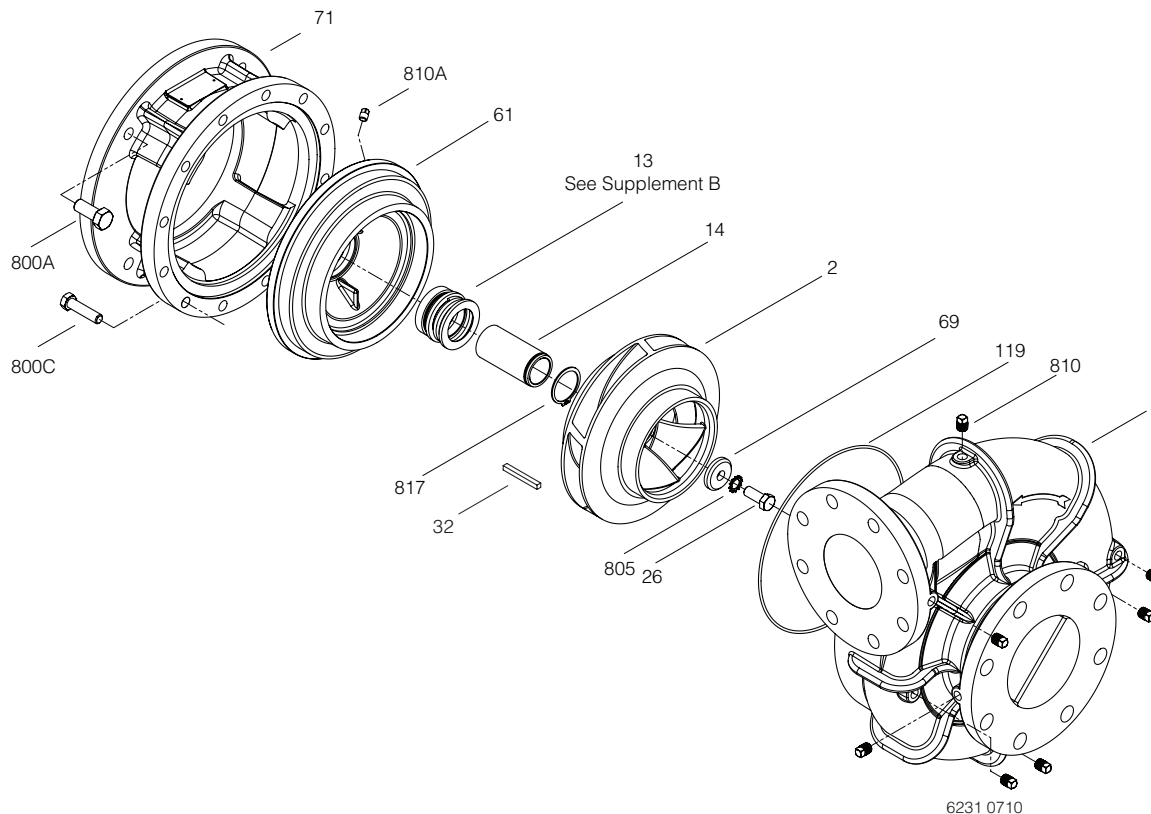
Section	CC
Page	247.2
Date	August 17, 2010
	New

CAST IRON IMPELLER

B4ZPBHS

Flanged Case

Mechanical Shaft Seal Construction



Item No.	Part Description	Part Number
1	Case, Volute	M15048
2	Impeller	See Table I
13	Seal, Shaft	S32015
14	Sleeve, Shaft (Note 2)	B85741
26	Screw, Impeller	S23621
32	Key, 1/4" X 2-1/4"	S23677
61	Plate, Seal	M15046
69	Washer, Impeller	S06319
71	Bracket	M15044
119	O-Ring	M15099
800A	Screw, 1/2-13NC X 1-1/2 LG CRS (4 rqd)	S26916
800C	Screw, 1/2-13NC X 2 LG CRS (12 rqd)	S26920
805	Washer, Lock	S23038
810	Plug, Pipe	S23715
810A	Plug, Pipe	U78-56ZPS
817	Ring, Retaining	S16767

Table I

B/M No.	HP	PH	RPM	Imp. Dia.	Imp. No.
B85686	20	3	1800	9.50	M15051
B85688	15	3	1800	9.19	M15298
B85690	10	3	1800	8.19	M15299
B85692	7.5	3	1800	7.50	M15300

Table II

HP	PH	Bracket No.	"AK" Dim.	"U" Dim.	Motor Frame
20	3	M15044	8.50	1.25	256JP
15	3	M15044	8.50	1.25	254JP
10	3	M15044	8.50	1.25	215JP
7.5	3	M15044	8.50	1.25	213JP

NOTES

- 1 Impeller kit B85754 includes items 26, 32, 69, 119, 805
- 2 Shaft sleeve kit B85741 includes item 14, adhesive and instruction sheet