



TYPE "B" SINGLE STAGE CENTRIFUGAL PUMP Electric Motor Drive

Section	CC
Page	260.1
Date	January 1, 2004
Supersedes 6/1/95	

CAST IRON IMPELLER

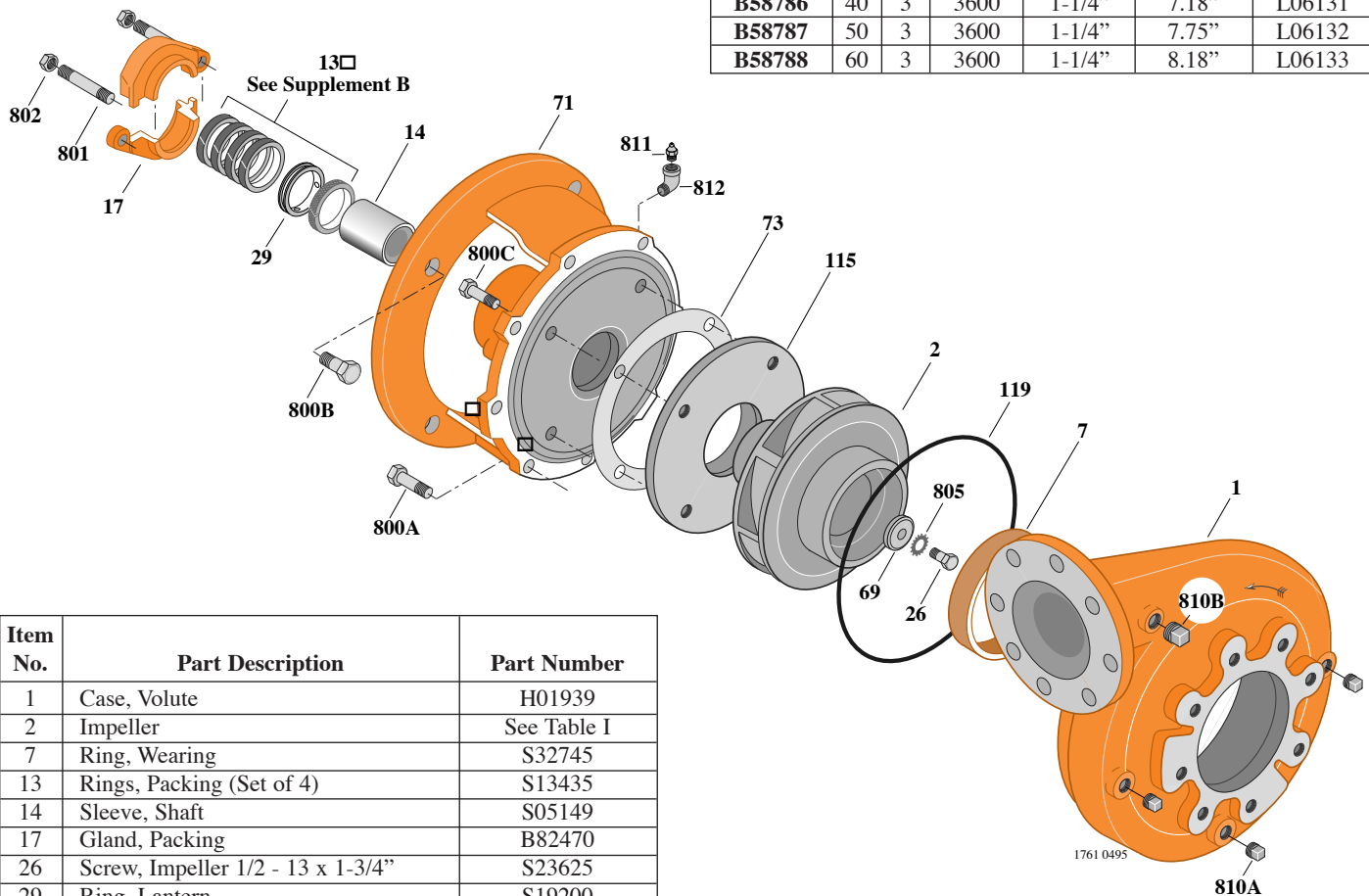
B4EPBM

Flanged Case

Packing Construction

TABLE I

B/M No.	HP	PH	RPM	"U" Dim.	Imp. Dia.	Imp. No.
B58786	40	3	3600	1-1/4"	7.18"	L06131
B58787	50	3	3600	1-1/4"	7.75"	L06132
B58788	60	3	3600	1-1/4"	8.18"	L06133



Item No.	Part Description	Part Number
1	Case, Volute	H01939
2	Impeller	See Table I
7	Ring, Wearing	S32745
13	Rings, Packing (Set of 4)	S13435
14	Sleeve, Shaft	S05149
17	Gland, Packing	B82470
26	Screw, Impeller 1/2 - 13 x 1-3/4"	S23625
29	Ring, Lantern	S19200
32	Key, 1/4 x 2-1/4" (See Note)	S23677
69	Washer, Impeller	S18117
71	Bracket	See Table II
73	Gasket, Balance Ring	S09943
115	Ring, Balance	L03649
119	O-Ring	S13760
800A	Capscrew, 1/2 - 13 x 1-1/4" (8 Req.)	S26914
800B	Capscrew, 5/8 - 11 x 1-1/2" (4 Req.)	S26999
800C	Capscrew, 3/8 - 16 x 1" (4 Req.)	S26826
801	Stud, 3/8 - 16 x 2-1/2" (2 Req.)	S04438
802	Nut, Hex 3/8 - 16 (2 Req.)	S23343
805	Washer, Lock	S23038
810A	Plug, Pipe 1/4 NPT (3 Req.)	S23715
810B	Plug, Pipe 1/2 NPT (2 Req.)	S23717
811	Fitting, Grease	S23700
812	Elbow, Street	S25421

TABLE II

HP	PH	Bracket No.	"AK" Fit	"U" Dim.	Motor Frame
40	3	L03497	12-1/2"	1-1/4"	286JP
50	3	L03497	12-1/2"	1-1/4"	324JP
60	3	L03497	12-1/2"	1-1/4"	326JP

NOTE: For an explanation of the tabulated material found on this page and for impeller key location, refer to *Supplement A* located at the beginning of this section.