



TYPE "B" SINGLE STAGE  
CENTRIFUGAL PUMP  
Electric Motor Drive

Section	CC
Page	260.9
Date	January 1, 2004
Supersedes/New	

BRONZE IMPELLER

B4EPBMS

Flanged Case

Mechanical Shaft Seal Construction

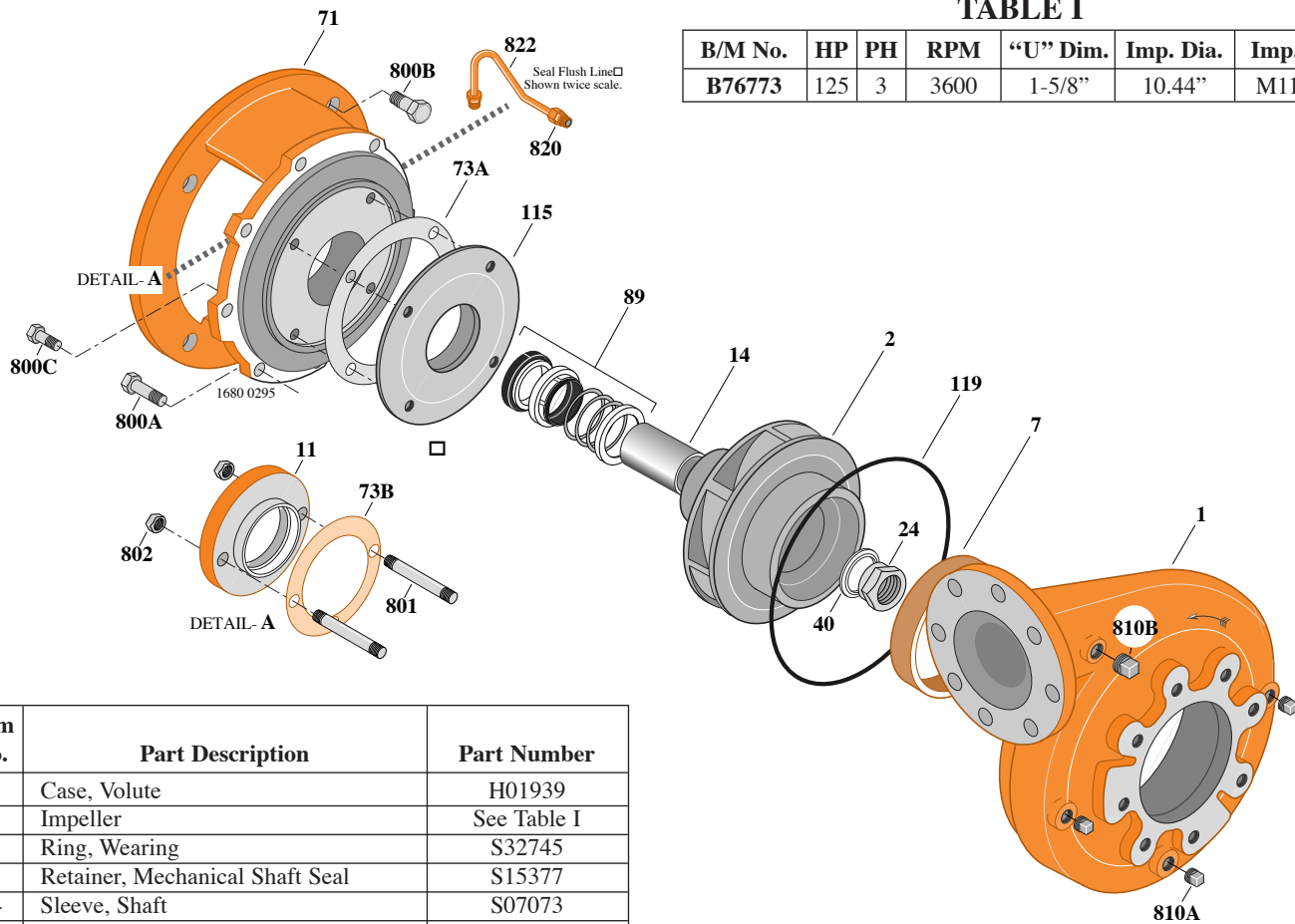


TABLE I

B/M No.	HP	PH	RPM	"U" Dim.	Imp. Dia.	Imp. No.
B76773	125	3	3600	1-5/8"	10.44"	M11562

Item No.	Part Description	Part Number
1	Case, Volute	H01939
2	Impeller	See Table I
7	Ring, Wearing	S32745
11	Retainer, Mechanical Shaft Seal	S15377
14	Sleeve, Shaft	S07073
24	Locknut, Impeller	S17955
32	Key, 3/8 x 2-1/4" (See Note)	S23940
40	Deflector	S17956
71	Bracket	See Table II
73A	Gasket, Balance Ring	S09943
73B	Gasket, Seal Retainer	S15078
89	Seal, Mechanical Shaft	S32016
115	Ring, Balance	L03837
119	O-Ring	S13760
800A	Capscrew, 1/2 - 13 x 1-1/4" (8 Req.)	S26914
800B	Capscrew, 5/8 - 11 x 1-3/4" (4 Req.)	S27001
800C	Capscrew, 3/8 - 16 x 7/8" (4 Req.)	S26825
801	Stud, 3/8 - 16 x 2-1/2" (2 Req.)	S04438
802	Nut, 3/8 - 16 (2 Req.)	S23343
810A	Plug, Pipe 1/4 NPT (3 Req.)	S23715
810B	Plug, Pipe 1/2 NPT (2 Req.)	S23717
820	Connector, Comp. Fitting (2 Req.)	S24013
822	Tubing, Copper	S20677
•	Plug, Pipe 1/8 NPT (At Seal Bore)	S23714

TABLE II

HP	PH	Bracket No.	"AK" Fit	"U" Dim.	Motor Frame
125	3	L06315	12-1/2"	1-5/8"	404TC

**NOTE:** For an explanation of the tabulated material found on this page and for impeller key location, refer to *Supplement A* located at the beginning of this section.