



TYPE "B" SINGLE STAGE CENTRIFUGAL PUMP Electric Motor Drive

Section	CC
Page	270.1
Date	January 1, 2004
Supersedes 6/1/95	

CAST IRON IMPELLER

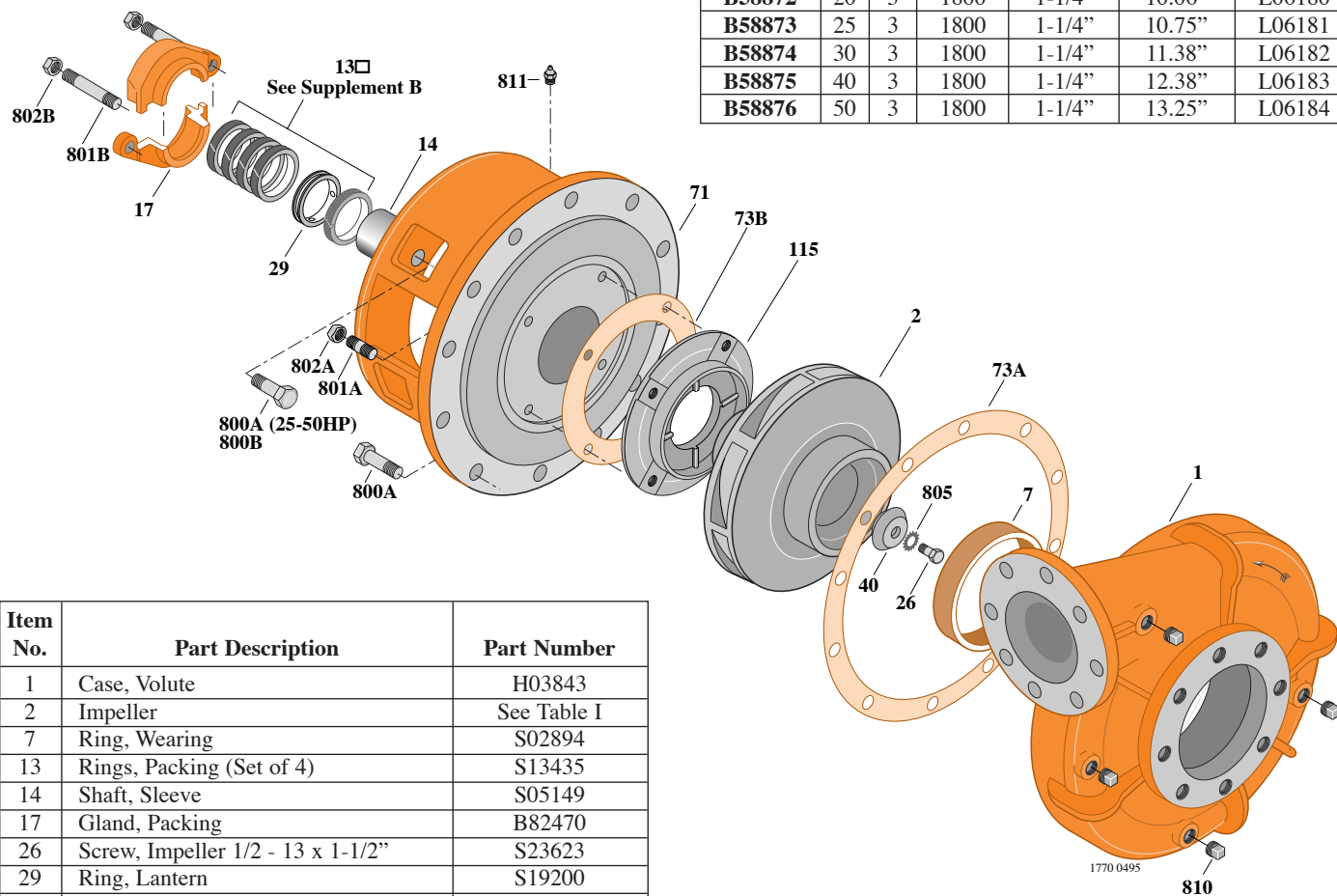
B4JPBH

Flanged Case

Packing Construction

TABLE I

B/M No.	HP	PH	RPM	"U" Dim.	Imp. Dia.	Imp. No.
B58872	20	3	1800	1-1/4"	10.06"	L06180
B58873	25	3	1800	1-1/4"	10.75"	L06181
B58874	30	3	1800	1-1/4"	11.38"	L06182
B58875	40	3	1800	1-1/4"	12.38"	L06183
B58876	50	3	1800	1-1/4"	13.25"	L06184



Item No.	Part Description	Part Number
1	Case, Volute	H03843
2	Impeller	See Table I
7	Ring, Wearing	S02894
13	Rings, Packing (Set of 4)	S13435
14	Shaft, Sleeve	S05149
17	Gland, Packing	B82470
26	Screw, Impeller 1/2 - 13 x 1-1/2"	S23623
29	Ring, Lantern	S19200
32	Key, 1/4 x 2-1/4" (See Note)	S23677
40	Deflector	S19275
71	Bracket	See Table II
73A	Gasket, Volute	S06271
73B	Gasket, Balance Ring	S09943
115	Ring, Balance	S12315
800A	Capscrew, 5/8 - 11 x 1-1/2" (12 Req.)	S26999
800B	Capscrew, 1/2 - 13 x 1-1/2" (4 Req.)	S26916
801A	Stud, 3/8 - 16 x 1-3/4" (4 Req.)	S23996
801B	Stud, 3/8 - 16 x 2-1/2" (2 Req.)	S04438
802A	Nut, Hex 3/8 - 16 (4 Req.)	S23103
802B	Nut, Hex 3/8 - 16 (2 Req.)	S23343
805	Washer, Lock	S23038
810	Plug, Pipe 1/2 NPT (4 Req.)	S23717
811	Fitting, Grease	S23700
812	Elbow, Street	S25421

TABLE II

HP	PH	Bracket No.	"AK" Fit	"U" Dim.	Motor Frame
20	3	H02384	8-1/2"	1-1/4"	256JP
25	3	H01601	12-1/2"	1-1/4"	284JP
30	3	H01601	12-1/2"	1-1/4"	286JP
40	3	H01601	12-1/2"	1-1/4"	324JP
50	3	H01601	12-1/2"	1-1/4"	326JP

NOTE: For an explanation of the tabulated material found on this page and for impeller key location, refer to *Supplement A* located at the beginning of this section.