



TYPE "B" SINGLE STAGE CENTRIFUGAL PUMP Electric Motor Drive

| | |
|----------------|-----------------|
| Section | CC |
| Page | 270.2.2 |
| Date | January 1, 2004 |
| Supersedes/New | |

BRONZE IMPELLER

B4JPBHS

Flanged Case

Mechanical Shaft Seal Construction

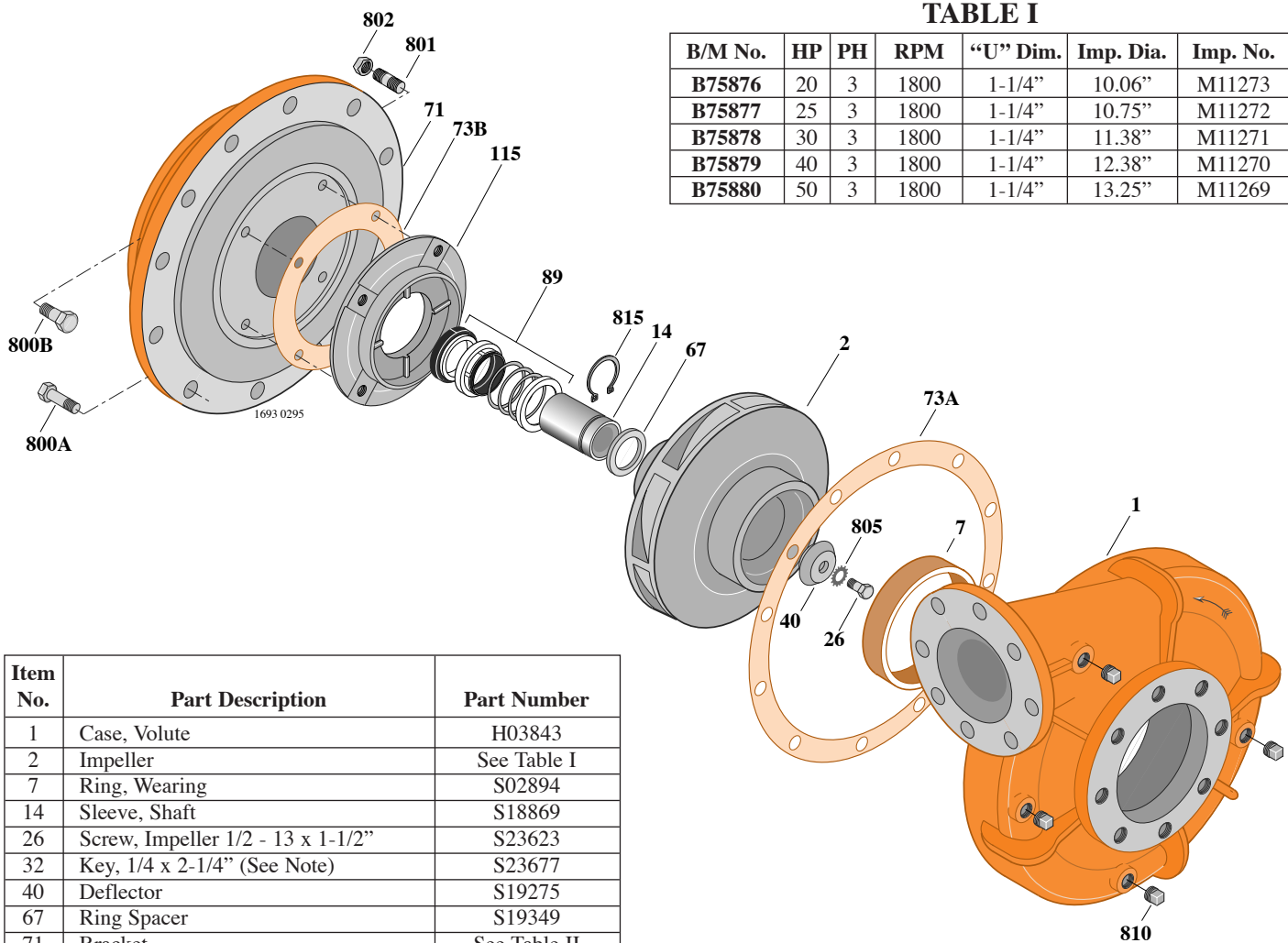


TABLE I

| B/M No. | HP | PH | RPM | "U" Dim. | Imp. Dia. | Imp. No. |
|---------|----|----|------|----------|-----------|----------|
| B75876 | 20 | 3 | 1800 | 1-1/4" | 10.06" | M11273 |
| B75877 | 25 | 3 | 1800 | 1-1/4" | 10.75" | M11272 |
| B75878 | 30 | 3 | 1800 | 1-1/4" | 11.38" | M11271 |
| B75879 | 40 | 3 | 1800 | 1-1/4" | 12.38" | M11270 |
| B75880 | 50 | 3 | 1800 | 1-1/4" | 13.25" | M11269 |

| Item No. | Part Description | Part Number |
|----------|--|--------------|
| 1 | Case, Volute | H03843 |
| 2 | Impeller | See Table I |
| 7 | Ring, Wearing | S02894 |
| 14 | Sleeve, Shaft | S18869 |
| 26 | Screw, Impeller 1/2 - 13 x 1-1/2" | S23623 |
| 32 | Key, 1/4 x 2-1/4" (See Note) | S23677 |
| 40 | Deflector | S19275 |
| 67 | Ring Spacer | S19349 |
| 71 | Bracket | See Table II |
| 73A | Gasket, Volute Case | S06271 |
| 73B | Gasket, Balance Ring | S09943 |
| 89 | Seal, Mechanical Shaft | S32015 |
| 115 | Ring, Balance | S19105 |
| 800A | Capscrew, 5/8 - 11 x 1-1/2" (12 Req.) (8-1/2 AK) | S26999 |
| 800A | Capscrew, 5/8 - 11 x 1-1/2" (16 Req.) (12-1/2 AK) | S26999 |
| 800B | Capscrew, 1/2 - 13 x 1-1/2" (4 Req.) (8-1/2 AK Only) | S26916 |
| 801 | Stud, 3/8 - 16 x 1-3/8" (4 Req.) | S09942 |
| 802 | Nut, 3/8 - 16 (4 Req.) | S23103 |
| 805 | Washer, Lock | S23038 |
| 810 | Plug, Pipe 1/2 NPT (4 Req.) | S23717 |
| 815 | Ring, Retaining | S16767 |

TABLE II

| HP | PH | Bracket No. | "AK" Fit | "U" Dim. | Motor Frame |
|----|----|-------------|----------|----------|-------------|
| 20 | 3 | H03300 | 8-1/2" | 1-1/4" | 256JM |
| 25 | 3 | H03301 | 12-1/2" | 1-1/4" | 284JM |
| 30 | 3 | H03301 | 12-1/2" | 1-1/4" | 286JM |
| 40 | 3 | H03301 | 12-1/2" | 1-1/4" | 324JM |
| 50 | 3 | H03301 | 12-1/2" | 1-1/4" | 326JM |

NOTE: For an explanation of the tabulated material found on this page and for impeller key location, refer to *Supplement A* located at the beginning of this section.