



# TYPE "B" SINGLE STAGE CENTRIFUGAL PUMP Electric Motor Drive

Section	CC
Page	275.3
Date	January 1, 2004
Supersedes NEW	

## SILICON BRONZE IMPELLER

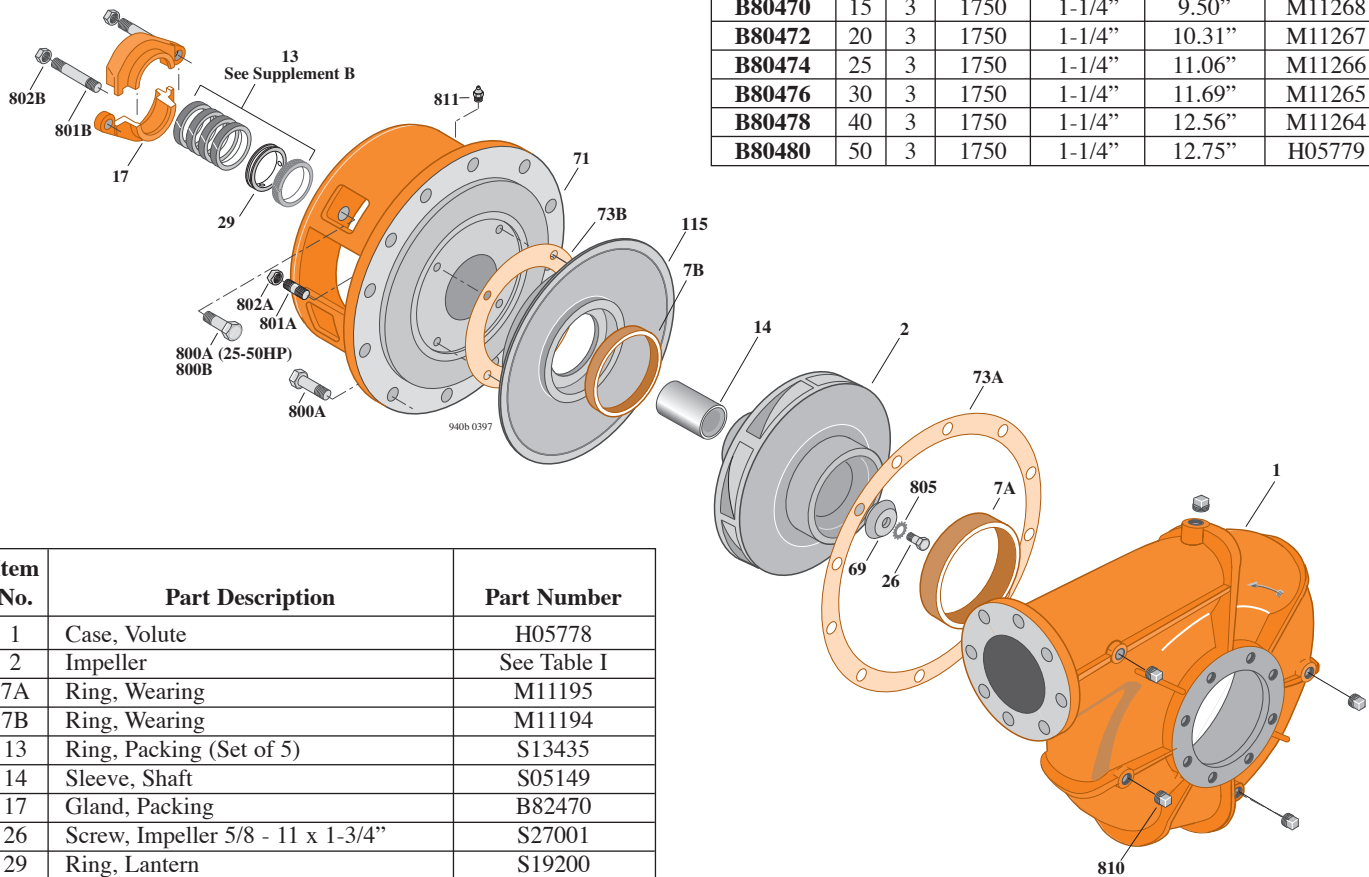
## B4GPBH

### Flanged Case

### Packing Construction

TABLE I

B/M No.	HP	PH	RPM	"U" Dim.	Imp. Dia.	Imp. No.
B80470	15	3	1750	1-1/4"	9.50"	M11268
B80472	20	3	1750	1-1/4"	10.31"	M11267
B80474	25	3	1750	1-1/4"	11.06"	M11266
B80476	30	3	1750	1-1/4"	11.69"	M11265
B80478	40	3	1750	1-1/4"	12.56"	M11264
B80480	50	3	1750	1-1/4"	12.75"	H05779



Item No.	Part Description	Part Number
1	Case, Volute	H05778
2	Impeller	See Table I
7A	Ring, Wearing	M11195
7B	Ring, Wearing	M11194
13	Ring, Packing (Set of 5)	S13435
14	Sleeve, Shaft	S05149
17	Gland, Packing	B82470
26	Screw, Impeller 5/8 - 11 x 1-3/4"	S27001
29	Ring, Lantern	S19200
69	Deflector	S06319
71	Bracket	See Table II
73A	Gasket, Volute Case	S06271
73B	Gasket, Balance Ring	S09943
115	Ring, Balance	H05781
800A	Capscrew, 5/8 - 11 x 1-1/2" (16 Req.) (12-1/2 AK)	S26999
800A	Capscrew, 5/8 - 11 x 1-1/2" (12 Req.) (8-1/2 AK)	S26999
800B	Capscrew, 1/2 - 13 x 1-1/2" (4 Req.) (8-1/2 AK Only)	S26916
801A	Stud, 3/8 - 16 x 1-3/8" (4 Req.)	S09942
801B	Stud, 3/8 - 16 x 2-1/2" (2 Req.)	S04438
802A	Nut, 3/8 - 16 (4 Req.)	S23103
802B	Nut, 3/8 - 16 (2 Req.)	S23343
805	Washer, Lock	S23038
810	Plug, Pipe 1/2 NPT (6 Req.)	S23717
811	Fitting, Grease	S23700

TABLE II

HP	PH	Bracket No.	"AK" Fit	"U" Dim.	Motor Frame
15	3	H02384	8-1/2"	1-1/4"	254TCZ/JP
20	3	H02384	8-1/2"	1-1/4"	256JP/TCZ
25	3	H01601	12-1/2"	1-1/4"	284JP
30	3	H01601	12-1/2"	1-1/4"	286JP
40	3	H01601	12-1/2"	1-1/4"	324JP/TCZ
50	3	H01601	12-1/2"	1-1/4"	326JP

**NOTE:** For an explanation of the tabulated material found on this page and for impeller key location, refer to *Supplement A* located at the beginning of this section.