



# TYPE "B" SINGLE STAGE CENTRIFUGAL PUMP Electric Motor Drive

Section	CC
Page	290.2.1
Date	November 2, 2009
Supersedes 12/1/05	

## CAST IRON IMPELLER

## B4EYPBM

### Flanged Case

### Packing Construction

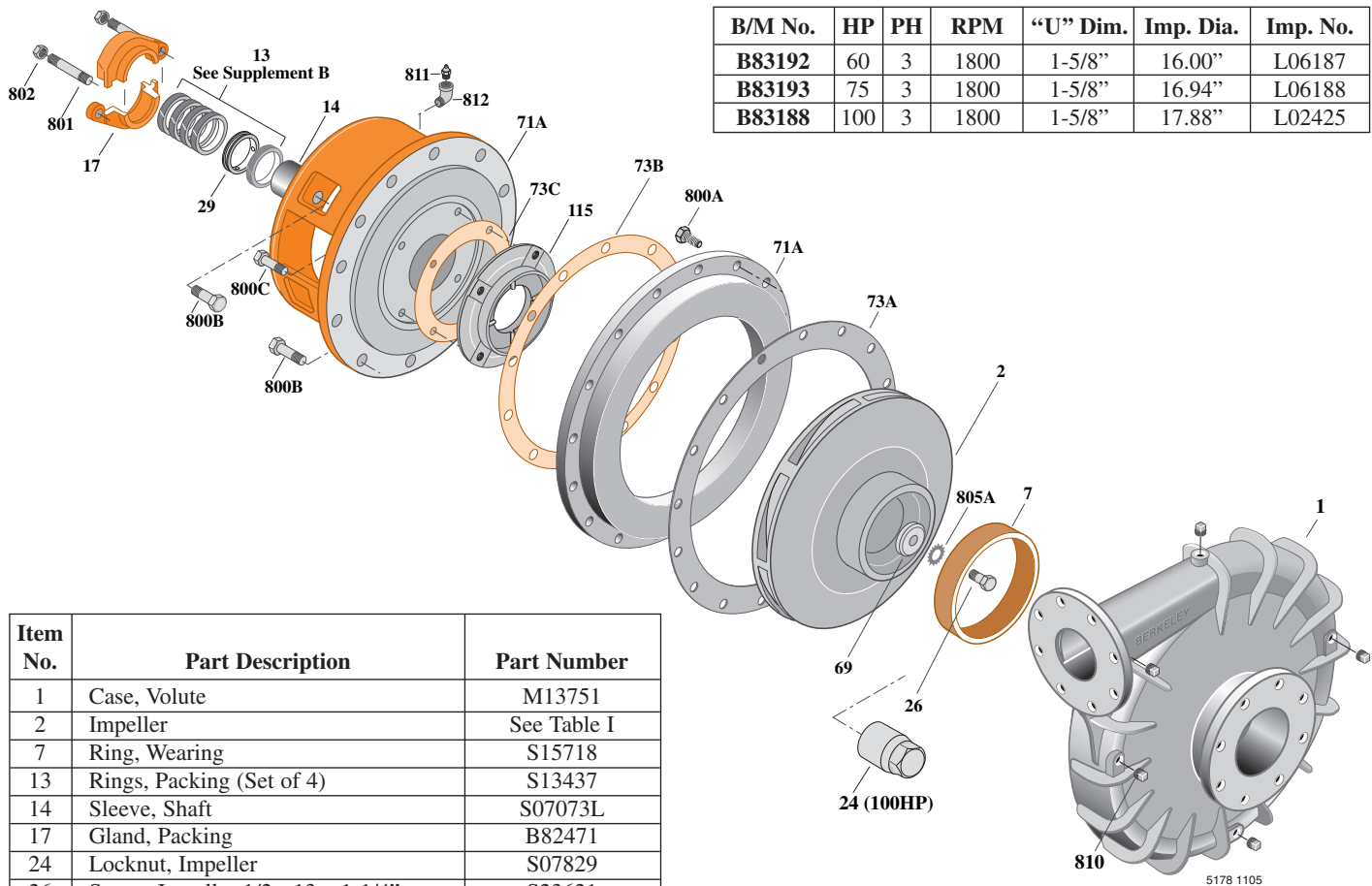


TABLE I

B/M No.	HP	PH	RPM	"U" Dim.	Imp. Dia.	Imp. No.
B83192	60	3	1800	1-5/8"	16.00"	L06187
B83193	75	3	1800	1-5/8"	16.94"	L06188
B83188	100	3	1800	1-5/8"	17.88"	L02425

Item No.	Part Description	Part Number
1	Case, Volute	M13751
2	Impeller	See Table I
7	Ring, Wearing	S15718
13	Rings, Packing (Set of 4)	S13437
14	Sleeve, Shaft	S07073L
17	Gland, Packing	B82471
24	Locknut, Impeller	S07829
26	Screw, Impeller 1/2 - 13 x 1-1/4"	S23621
29	Ring, Lantern	S19198
32	Key, 3/8 x 2-1/4" (See Note)	S23940
69	Washer, Impeller	S34492
71A	Ring, Adapter	M13753
71B	Bracket	See Table II
73A	Gasket, Suction Cover	S06401
73B	Gasket, Volute	S06271
73C	Gasket, Balance Ring	S09943
115	Ring, Balance	S13655
800A	Capscrew, 5/8 - 11 x 1-3/4" (20 Req.)	S27001
800B	Capscrew, 5/8 - 11 x 1-1/2" (12 Req.)	S26999
800C	Capscrew, 3/8 - 16 x 1-1/2" (4 Req.)	S26830
801	Stud, 3/8 - 16 x 2-1/2" (2 Req.)	S04438
802	Nut, Hex 3/8 - 16 (2 Req.)	S23343
805	Washer, Lock	S23038
810	Plug, Pipe 1/2 NPT (4 Req.)	S23717
811	Fitting, Grease	S23700
812	Elbow, Street	S25421

TABLE II

HP	PH	Bracket No.	"AK" Fit	"U" Dim.	Motor Frame
60	3	H03622	12-1/2"	1-5/8"	364JP
75	3	H03622	12-1/2"	1-5/8"	365JP
100	3	H03622	12-1/2"	1-5/8"	404TC

**NOTE:** For an explanation of the tabulated material found on this page and for impeller key location, refer to *Supplement A* located at the beginning of this section.