



TYPE "B" SINGLE STAGE CENTRIFUGAL PUMP Electric Motor Drive

Section	CC
Page	290.3.1
Date	November 2, 2009
Supersedes 12/1/05	

CAST IRON IMPELLER

B4EYPBMS

Flanged Case

Mechanical Shaft Seal Construction

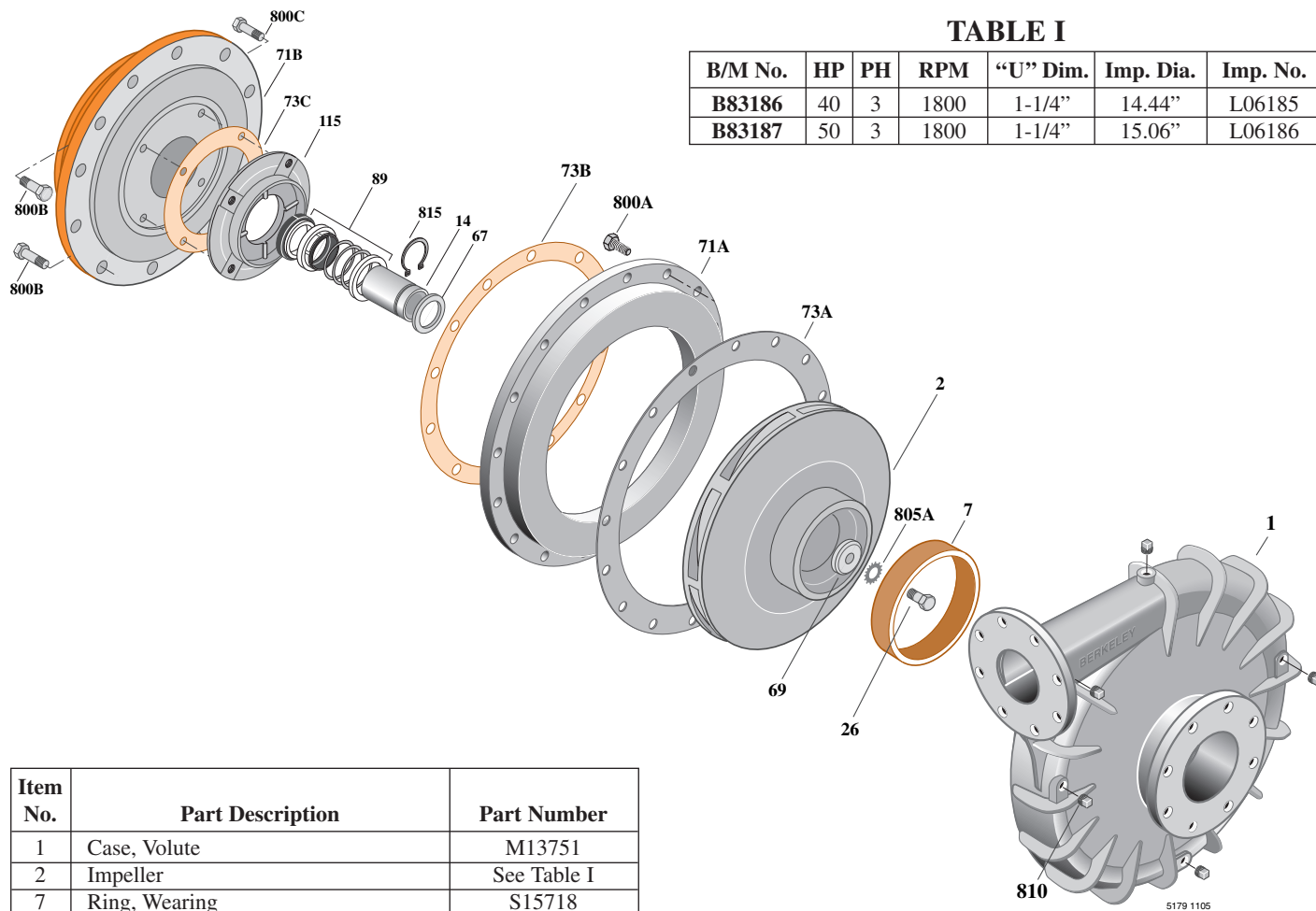


TABLE I

B/M No.	HP	PH	RPM	"U" Dim.	Imp. Dia.	Imp. No.
B83186	40	3	1800	1-1/4"	14.44"	L06185
B83187	50	3	1800	1-1/4"	15.06"	L06186

Item No.	Part Description	Part Number
1	Case, Volute	M13751
2	Impeller	See Table I
7	Ring, Wearing	S15718
14	Sleeve, Shaft	S18869L
26	Screw, Impeller 1/2 - 13 x 1-1/4"	S23621
32	Key, 1/4 x 2-1/4" (See Note)	S23677
67	Ring, Spacer	S19349
69	Washer, Impeller	S06319
71A	Ring, Adapter	M13753
71B	Bracket	See Table II
73A	Gasket, Suction Cover	S06401
73B	Gasket, Volute Case	S06271
73C	Gasket, Balance Ring	S09943
89	Seal, Mechanical Shaft	S32015
115	Ring, Balance	S19036
800A	Capscrew, 5/8 - 11 x 1-3/4" (16 Req.)	S27001
800B	Capscrew, 5/8 - 11 x 1-1/2" (16 Req.)	S26999
800C	Capscrew, 3/8 - 16 x 1" (4 Req.)	S26826
805	Washer, Lock	S23038
810	Plug, Pipe 1/2 NPT (4 Req.)	S23717
815	Ring, Retaining	S16767

TABLE II

HP	PH	Bracket No.	"AK" Fit	"U" Dim.	Motor Frame
40	3	H03301	12-1/2"	1-1/4"	324JM
50	3	H03301	12-1/2"	1-1/4"	326JM

NOTE: For an explanation of the tabulated material found on this page and for impeller key location, refer to *Supplement A* located at the beginning of this section.