



TYPE "B" SINGLE STAGE
CENTRIFUGAL PUMP
Electric Motor Drive

Section	CC
Page	30.5
Date	January 1, 2004
Supersedes 9/1/97	

SILICON BRONZE IMPELLER

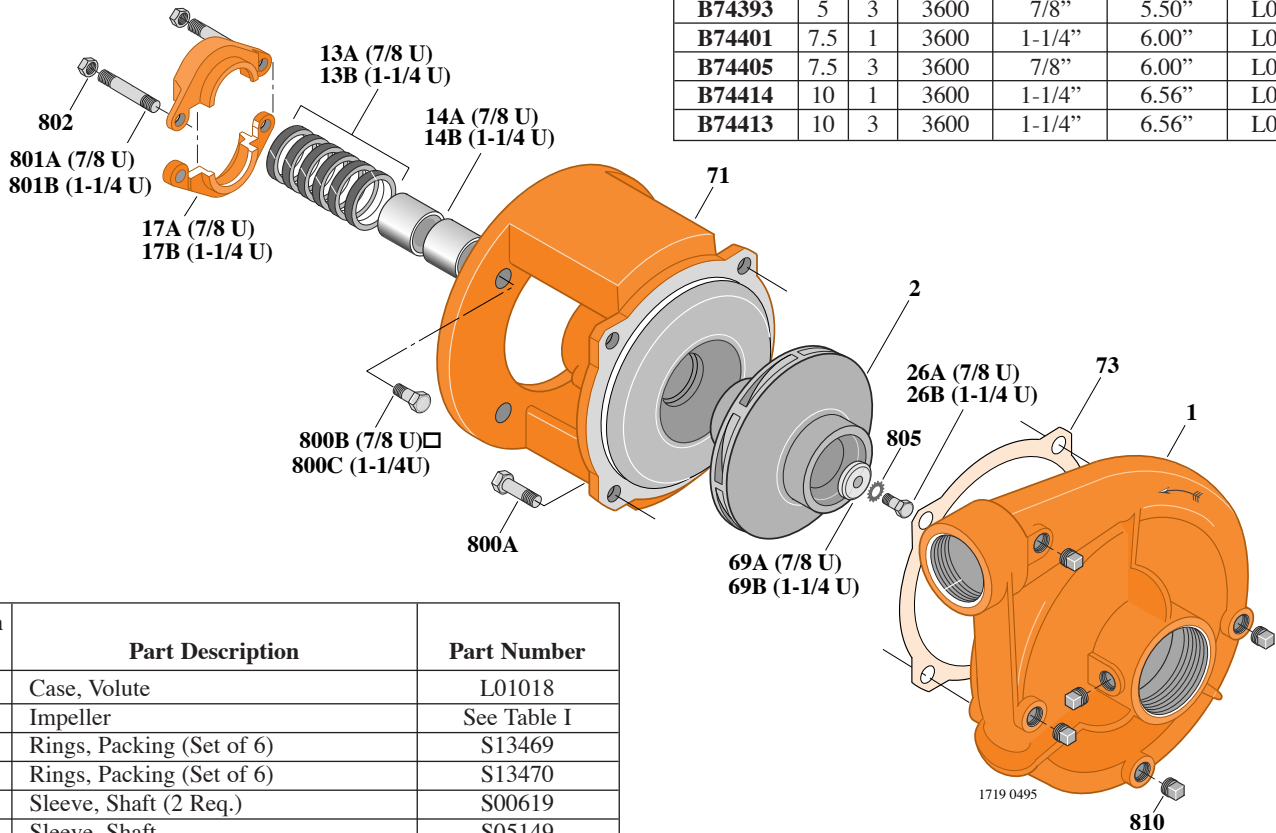
B1-1/2TPM

Threaded Case (NPT)

Packing Construction

TABLE I

B/M No.	HP	PH	RPM	"U" Dim.	Imp. Dia.	Imp. No.
B74394	5	1	3600	7/8"	5.50"	L08179
B74393	5	3	3600	7/8"	5.50"	L08179
B74401	7.5	1	3600	1-1/4"	6.00"	L08151
B74405	7.5	3	3600	7/8"	6.00"	L08177
B74414	10	1	3600	1-1/4"	6.56"	L08150
B74413	10	3	3600	1-1/4"	6.56"	L08150



Item No.	Part Description	Part Number
1	Case, Volute	L01018
2	Impeller	See Table I
13A	Rings, Packing (Set of 6)	S13469
13B	Rings, Packing (Set of 6)	S13470
14A	Sleeve, Shaft (2 Req.)	S00619
14B	Sleeve, Shaft	S05149
17A	Gland, Packing	B82469
17B	Gland, Packing	B82470
26A	Screw, Impeller, 3/8 - 16 x 1"	S23566
26B	Screw, Impeller 1/2 - 13 x 1"	S23619
32A	Key, 3/16 x 1-1/4" (See Note)	S34383
32B	Key, 1/4 x 2-1/4" (See Note)	S23677
69A	Washer, Impeller	S16239
69B	Washer, Impeller	S06317
71	Bracket	See Table II
73	Gasket, Volute	S04757
800A	Capscrew, 1/2 - 13 x 1" (4 Req.)	S26912
800B	Capscrew, 3/8 - 16 x 7/8" (4 Req.)	S26825
800C	Capscrew, 1/2 - 13 x 1" (4 Req.)	S26912
801A	Stud, 3/8 - 16 x 4" (2 Req.)	S08303
801B	Stud, 3/8 - 16 x 3-1/2" (2 Req.)	S04441
802	Nut, Hex 3/8 - 16 (2 Req.)	S23343
805	Washer, Lock	S23038
810	Plug, Pipe 1/4" NPT (5 Req.)	S23715

TABLE II

HP	PH	Bracket No.	"AK" Fit	"U" Dim.	Motor Frame
5	1	L01525	4-1/2"	7/8"	184JP
5	3	L01525	4-1/2"	7/8"	182JP
7.5	1	L01951	8-1/2"	1-1/4"	213JP
7.5	3	L01525	4-1/2"	7/8"	184JP
10	1	L01951	8-1/2"	1-1/4"	215JP
10	3	L01951	8-1/2"	1-1/4"	213JP

NOTE: For an explanation of the tabulated material found on this page and for impeller key location, refer to Supplement A located at the beginning of this section.