

TYPE "B" SINGLE STAGE  
CENTRIFUGAL PUMP  
Electric Motor Drive

|                   |                 |
|-------------------|-----------------|
| Section           | CC              |
| Page              | 30.6            |
| Date              | January 1, 2004 |
| Supersedes 9/1/97 |                 |

SILICON BRONZE IMPELLER

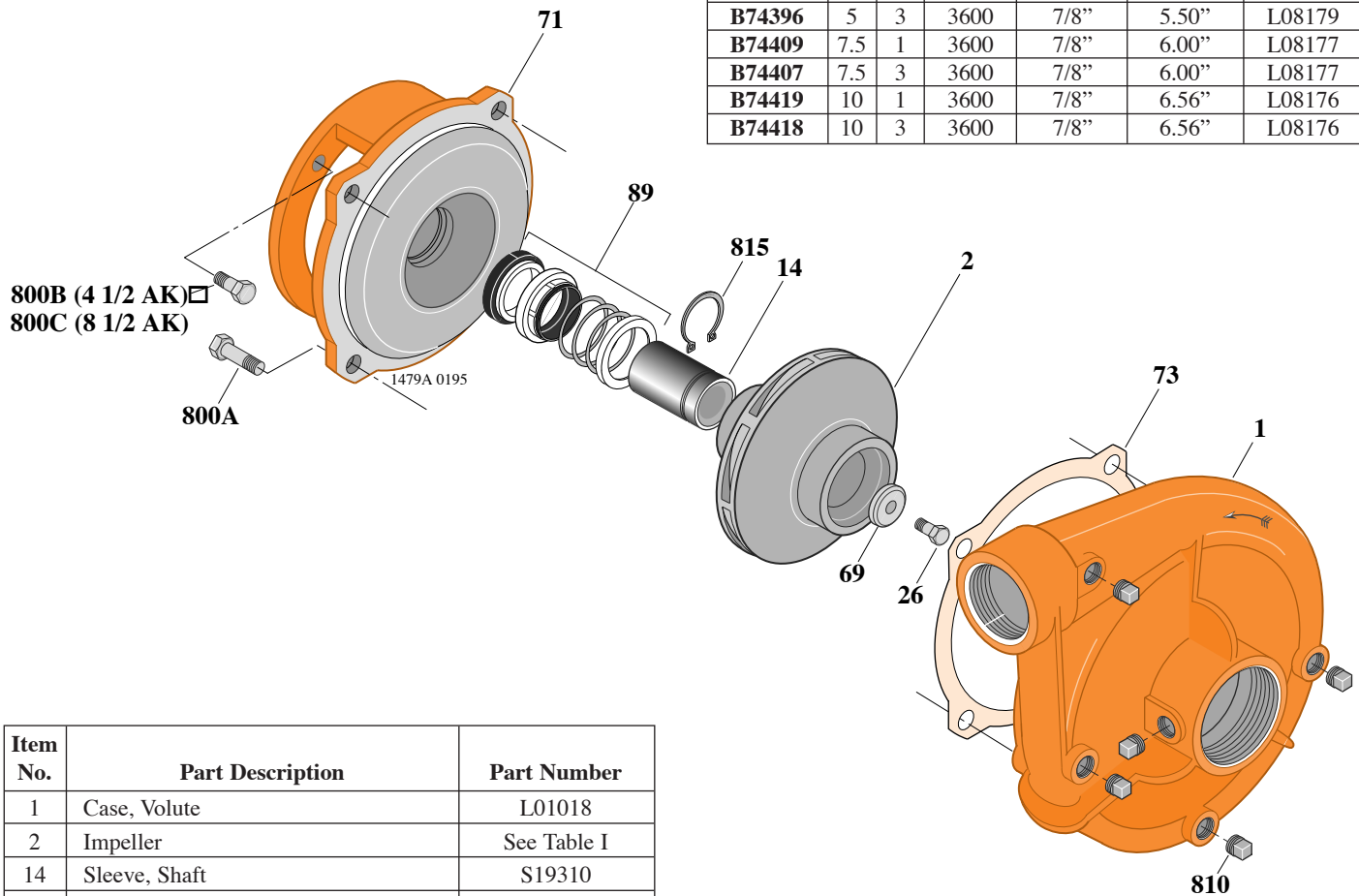
B1-1/2TPMS

Threaded Case (NPT)

Mechanical Shaft Seal Construction

TABLE I

| B/M No. | HP  | PH | RPM  | "U" Dim. | Imp. Dia. | Imp. No. |
|---------|-----|----|------|----------|-----------|----------|
| B74397  | 5   | 1  | 3600 | 7/8"     | 5.50"     | L08179   |
| B74396  | 5   | 3  | 3600 | 7/8"     | 5.50"     | L08179   |
| B74409  | 7.5 | 1  | 3600 | 7/8"     | 6.00"     | L08177   |
| B74407  | 7.5 | 3  | 3600 | 7/8"     | 6.00"     | L08177   |
| B74419  | 10  | 1  | 3600 | 7/8"     | 6.56"     | L08176   |
| B74418  | 10  | 3  | 3600 | 7/8"     | 6.56"     | L08176   |



| Item No. | Part Description                 | Part Number  |
|----------|----------------------------------|--------------|
| 1        | Case, Volute                     | L01018       |
| 2        | Impeller                         | See Table I  |
| 14       | Sleeve, Shaft                    | S19310       |
| 26       | Screw, Impeller 3/8 - 16 x 1"    | S23566       |
| 32       | Key, 3/16 x 1-1/4" (See Note)    | S34383       |
| 69       | Washer, Impeller                 | S16239       |
| 71       | Bracket                          | See Table II |
| 73       | Gasket, Volute                   | S04757       |
| 89       | Seal, Mechanical Shaft           | S32014       |
| 800A     | Capscrew, 1/2 - 13 x 1" (4 Req.) | S26912       |
| 800B     | Capscrew, 3/8 - 16 x 1" (4 Req.) | S26826       |
| 800C     | Capscrew, 1/2 - 13 x 1" (4 Req.) | S26912       |
| 810      | Plug, Pipe 1/4" NPT (5 Req.)     | S23715       |
| 815      | Ring, Retaining                  | S11207       |
| •        | Plug, Pipe 1/8" NPT (In Bracket) | S23714       |

• Not illustrated.

TABLE II

| HP  | PH | Bracket No. | "AK" Fit | "U" Dim. | Motor Frame |
|-----|----|-------------|----------|----------|-------------|
| 5   | 1  | L05329      | 4-1/2"   | 7/8"     | 184JM       |
| 5   | 3  | L05329      | 4-1/2"   | 7/8"     | 182JM       |
| 7.5 | 1  | L05328      | 8-1/2"   | 7/8"     | 213JM       |
| 7.5 | 3  | L05329      | 4-1/2"   | 7/8"     | 184JM       |
| 10  | 1  | L05328      | 8-1/2"   | 7/8"     | 215JM       |
| 10  | 3  | L05328      | 8-1/2"   | 7/8"     | 213JM       |

**NOTE:** For an explanation of the tabulated material found on this page and for impeller key location, refer to *Supplement A* located at the beginning of this section.

**NOTE:** For seal flush line details, see *Supplement D*.