



Type "B" Single Stage Centrifugal Pump Electric Motor Drive

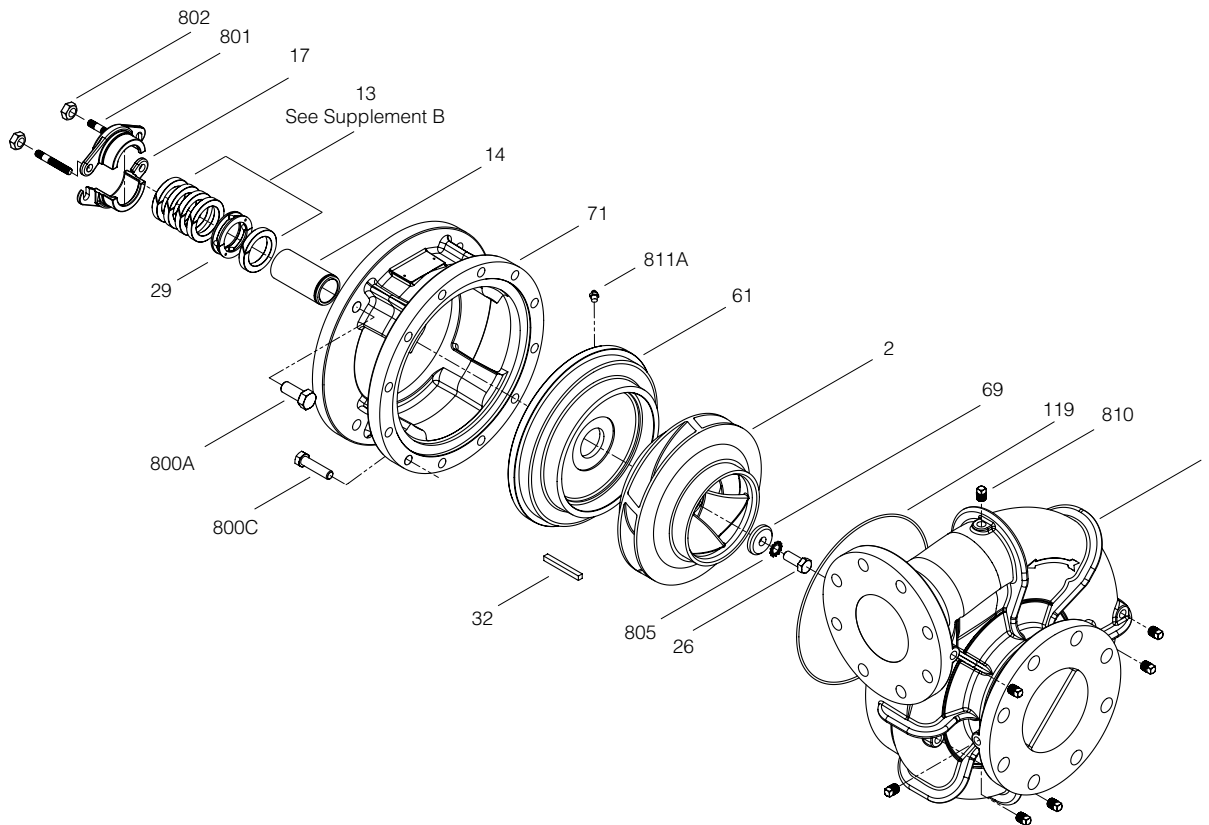
Section	CC
Page	307.1
Date	March 1, 2012
Supersedes 8/17/2010	

CAST IRON IMPELLER

B5ZPBH

Flanged Case

Packing Construction



Item No.	Part Description	Part Number
1	Case, Volute	M15049
2	Impeller	See Table I
13	Ring, Packing (Set of 4)	S13435
14	Sleeve, Shaft (Note 2)	B85741
17	Gland, Packing	B82740
26	Screw, Impeller	S23621
29	Ring, Lantern	S19200
32	Key, 1/4" X 2-1/4"	S23677
61	Plate, Seal	M15047
69	Washer, Impeller	S06319
71	Bracket	See Table II
119	O-Ring	M15099
800A	Screw, 1/2-13NC X 1-1/2" LG CRS (4 rqd)	S26916
800C	Screw, 1/2-13NC X 2" LG CRS (12 rqd)	S26920
801	Stud, 3/8-16NC X 2-1/2" LG 416SS (2 rqd)	S04438
802	Nut, Hex, Lock 3/8-16 SS (2 rqd)	M13771
805	Washer, Lock	S23038
810	Plug, Pipe	S23715
811A	Fitting, Grease	S23700

Table I

B/M No.	HP	PH	RPM	Imp. Dia.	Imp. No.
B86081	30	3	1800	9.50	M15052
B85695	25	3	1800	9.50	M15052
B85697	20	3	1800	8.88	M15322
B85699	15	3	1800	8.19	M15323
B85701	10	3	1800	7.19	M15324

Table II

HP	PH	Bracket No.	"AK" Dim.	"U" Dim.	Motor Frame
30	3	M15045	12.50	1.25	286JP
25	3	M15045	12.50	1.25	284JP
20	3	M15044	8.50	1.25	256JP
15	3	M15044	8.50	1.25	254JP
10	3	M15044	8.50	1.25	215JP

NOTES

- 1 Impeller kit B85754 includes items 26, 32, 69, 119, 805
- 2 Shaft sleeve kit B85741 includes item 14, adhesive and instruction sheet