



Type "B" Single Stage Centrifugal Pump Electric Motor Drive

Section	CC
Page	307.2
Date	March 1, 2012
Supersedes 8/17/2010	

CAST IRON IMPELLER

B5ZPBHS

Flanged Case

Mechanical Shaft Seal Construction

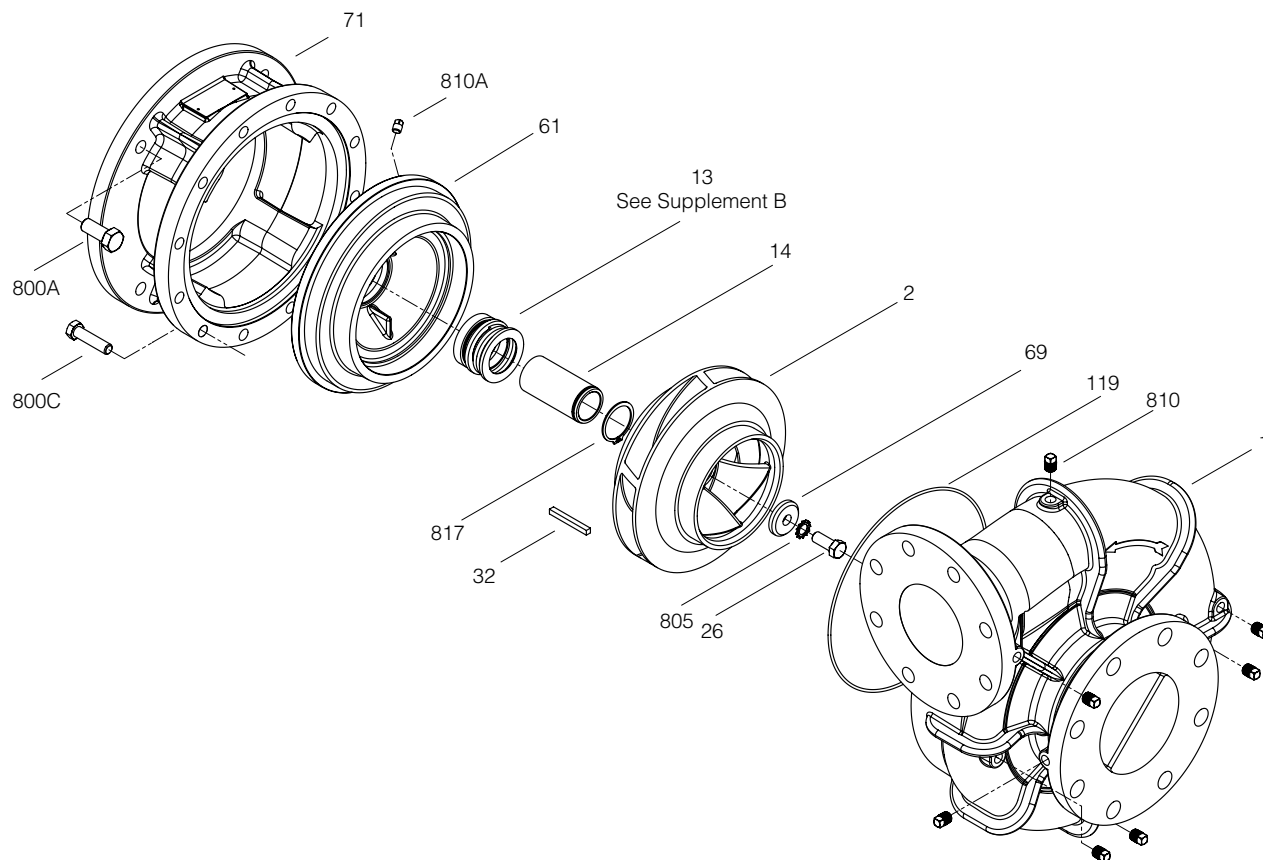


Table I

B/M No.	HP	PH	RPM	Imp. Dia.	Imp. No.
B86082	30	3	1800	9.50	M15052
B85696	25	3	1800	9.50	M15052
B85698	20	3	1800	8.88	M15322
B85700	15	3	1800	8.19	M15323
B85702	10	3	1800	7.19	M15324

Table II

HP	PH	Bracket No.	"AK" Dim.	"U" Dim.	Motor Frame
30	3	M15045	12.50	1.25	286JP
25	3	M15045	12.50	1.25	284JP
20	3	M15044	8.50	1.25	256JP
15	3	M15044	8.50	1.25	254JP
10	3	M15044	8.50	1.25	215JP

Item No.	Part Description	Part Number
1	Case, Volute	M15049
2	Impeller	See Table I
13	Seal, Shaft	S32015
14	Sleeve, Shaft (Note 2)	B85741
26	Screw, Impeller	S23621
32	Key, Impeller	S23677
61	Plate, Seal	M15046
69	Washer, Impeller	S06319
71	Bracket	See Table II
119	O-Ring	M15099
800A	Screw, 1/2-13NC X 1-1/2 LG CRS (4 rqd)	S26916
800C	Screw, 1/2-13NC X 2 LG CRS (12 rqd)	S26920
805	Washer, Lock	S23038
810	Plug, Pipe	S23715
810A	Plug, Pipe	U78-56ZPS
817	Ring, Retaining	S16767

NOTES

- 1 Impeller kit B85754 includes items 26, 32, 69, 119, 805
- 2 Shaft sleeve kit B85741 includes item 14, adhesive and instruction sheet