



TYPE "B" SINGLE STAGE
CENTRIFUGAL PUMP
Electric Motor Drive

Section	CC
Page	310.1
Date	January 1, 2004
Supersedes 6/1/95	

CAST IRON IMPELLER

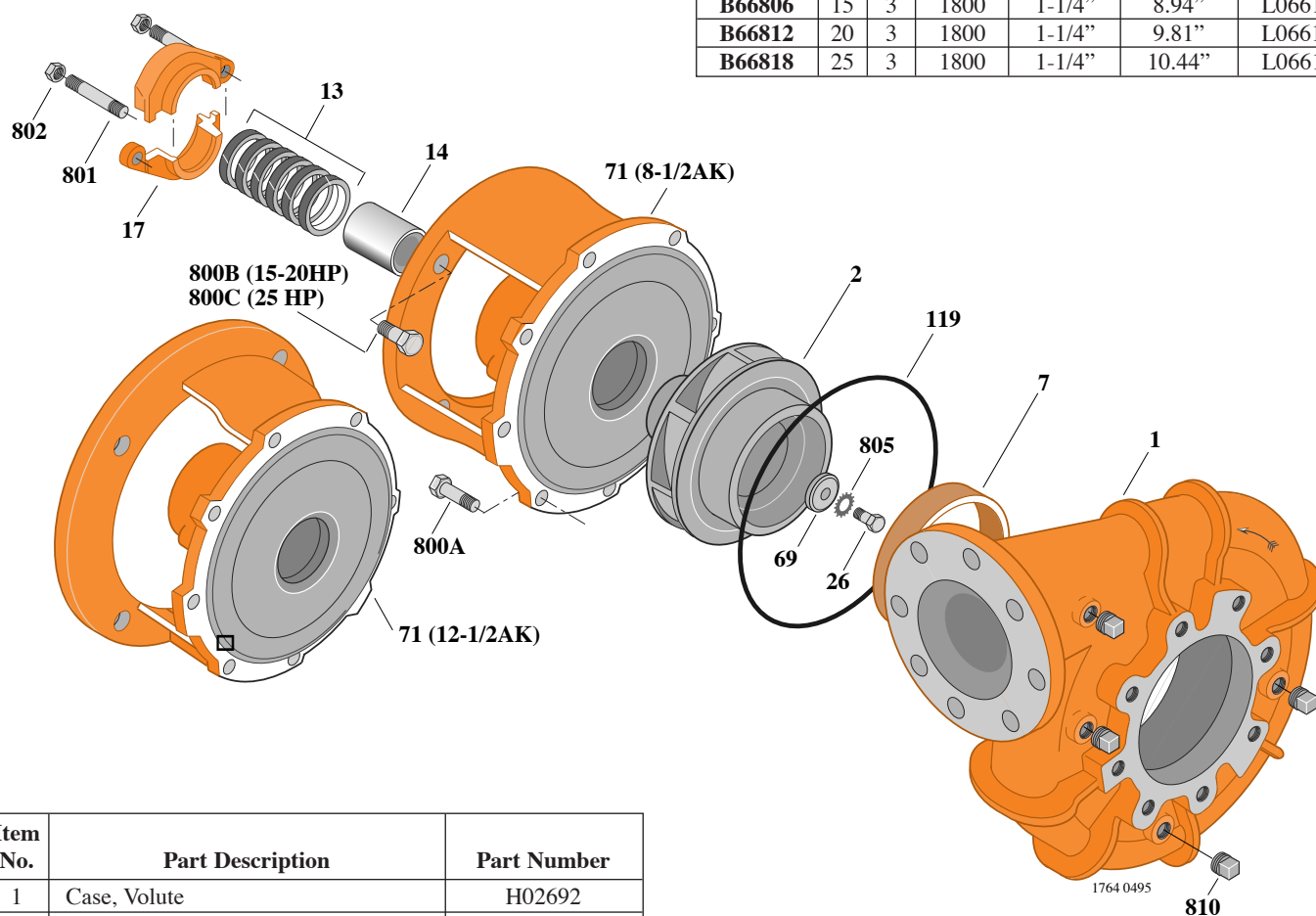
B5EPH

Flanged Case

Packing Construction

TABLE I

B/M No.	HP	PH	RPM	"U" Dim.	Imp. Dia.	Imp. No.
B66806	15	3	1800	1-1/4"	8.94"	L06614
B66812	20	3	1800	1-1/4"	9.81"	L06615
B66818	25	3	1800	1-1/4"	10.44"	L06611



Item No.	Part Description	Part Number
1	Case, Volute	H02692
2	Impeller	See Table I
7	Ring, Wearing	S15630
13	Rings, Packing (Set of 6)	S13470
14	Sleeve, Shaft	S05149
17	Gland, Packing	B82470
26	Screw, Impeller 1/2 - 13 x 1"	S23619
32	Key, 1/4 x 2-1/4" (See Note)	S23677
69	Washer, Impeller	S06319
71	Bracket	See Table II
119	O-Ring	S13760
800A	Capscrew, 1/2 - 13 x 1-1/4" (8 Req.)	S26914
800B	Capscrew, 1/2 - 13 x 1-1/2" (4 Req.)	S26916
801	Stud, 3/8 - 16 x 2-1/2" (2 Req.)	S04438
802	Nut, Hex 3/8 - 16 (2 Req.)	S23343
805	Washer, Lock	S23038
810	Plug, Pipe 1/2 NPT (4 Req.)	S23717

TABLE II

HP	PH	Bracket No.	"AK" Fit	"U" Dim.	Motor Frame
15	3	L03637	8-1/2"	1-1/4"	254JP
20	3	L03637	8-1/2"	1-1/4"	256JP
25	3	L03712	8-1/2"	1-1/4"	284JP

NOTE: For an explanation of the tabulated material found on this page and for impeller key location, refer to *Supplement A* located at the beginning of this section.