



# TYPE "B" SINGLE STAGE CENTRIFUGAL PUMP Electric Motor Drive

|                |                 |
|----------------|-----------------|
| Section        | CC              |
| Page           | 310.4           |
| Date           | January 1, 2004 |
| Supersedes/New |                 |

## BRONZE IMPELLER

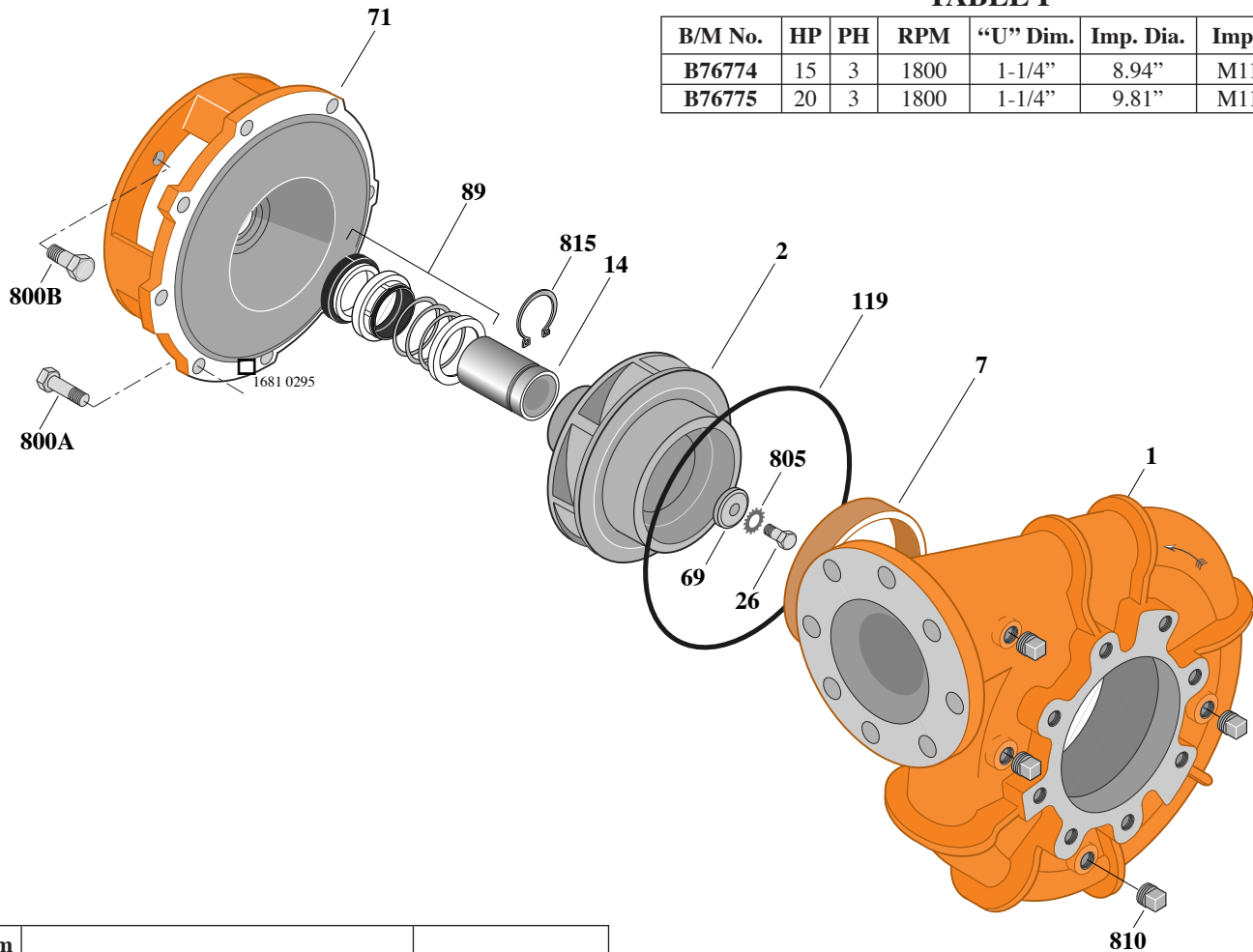
## B5EPHS

### Flanged Case

### Mechanical Shaft Seal Construction

TABLE I

| B/M No. | HP | PH | RPM  | "U" Dim. | Imp. Dia. | Imp. No. |
|---------|----|----|------|----------|-----------|----------|
| B76774  | 15 | 3  | 1800 | 1-1/4"   | 8.94"     | M11563   |
| B76775  | 20 | 3  | 1800 | 1-1/4"   | 9.81"     | M11564   |



| Item No. | Part Description                     | Part Number  |
|----------|--------------------------------------|--------------|
| 1        | Case, Volute                         | H02692       |
| 2        | Impeller                             | See Table I  |
| 7        | Ring, Wearing                        | S15630       |
| 14       | Sleeve, Shaft                        | S18869       |
| 26       | Screw, Impeller 1/2 - 13 x 1"        | S23619       |
| 32       | Key, 1/4 x 2-1/4" (See Note)         | S23677       |
| 69       | Washer, Impeller                     | S06319       |
| 71       | Bracket                              | See Table II |
| 89       | Seal, Mechanical Shaft               | S32015       |
| 119      | O-Ring                               | S13760       |
| 800A     | Capscrew, 1/2 - 13 x 1-1/4" (8 Req.) | S26914       |
| 800B     | Capscrew, 1/2 - 13 x 1" (4 Req.)     | S26912       |
| 805      | Washer, Lock                         | S23038       |
| 810      | Plug, Pipe 1/2 NPT (4 Req.)          | S23717       |
| 815      | Ring, Retaining                      | S16767       |

TABLE II

| HP | PH | Bracket No. | "AK" Fit | "U" Dim. | Motor Frame |
|----|----|-------------|----------|----------|-------------|
| 15 | 3  | L04616      | 8-1/2"   | 1-1/4"   | 254JM       |
| 20 | 3  | L04616      | 8-1/2"   | 1-1/4"   | 256JM       |

**NOTE:** For an explanation of the tabulated material found on this page and for impeller key location, refer to *Supplement A* located at the beginning of this section.