



TYPE "B" SINGLE STAGE CENTRIFUGAL PUMP Electric Motor Drive

| | |
|-------------------|-----------------|
| Section | CC |
| Page | 320.2 |
| Date | January 1, 2004 |
| Supersedes 6/1/95 | |

BRONZE IMPELLER

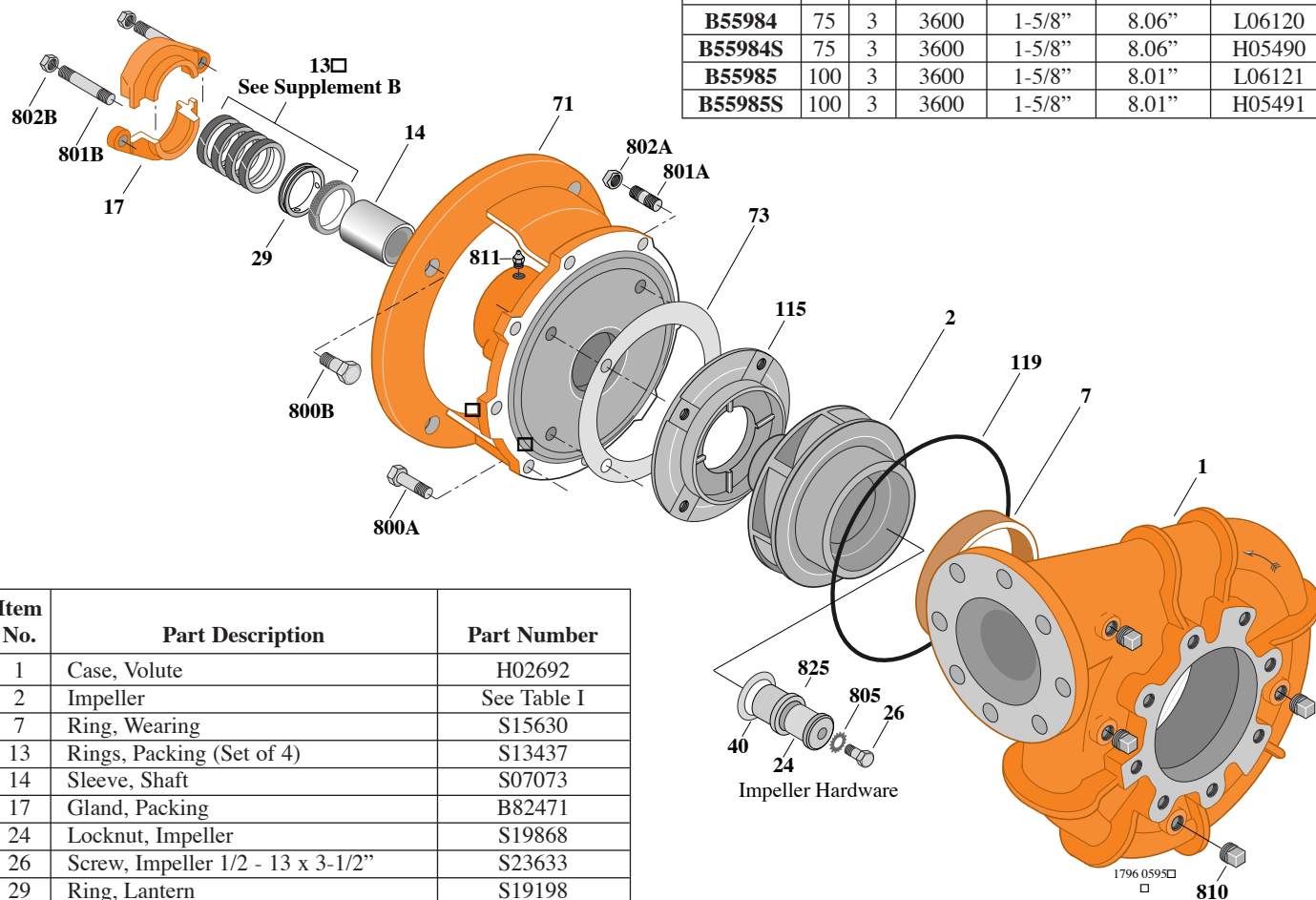
B5EPBM

Flanged Case

Packing Construction

TABLE I

| B/M No. | HP | PH | RPM | "U" Dim. | Imp. Dia. | Imp. No. |
|---------|-----|----|------|----------|-----------|----------|
| B55984 | 75 | 3 | 3600 | 1-5/8" | 8.06" | L06120 |
| B55984S | 75 | 3 | 3600 | 1-5/8" | 8.06" | H05490 |
| B55985 | 100 | 3 | 3600 | 1-5/8" | 8.01" | L06121 |
| B55985S | 100 | 3 | 3600 | 1-5/8" | 8.01" | H05491 |



| Item No. | Part Description | Part Number |
|----------|--------------------------------------|--------------|
| 1 | Case, Volute | H02692 |
| 2 | Impeller | See Table I |
| 7 | Ring, Wearing | S15630 |
| 13 | Rings, Packing (Set of 4) | S13437 |
| 14 | Sleeve, Shaft | S07073 |
| 17 | Gland, Packing | B82471 |
| 24 | Locknut, Impeller | S19868 |
| 26 | Screw, Impeller 1/2 - 13 x 3-1/2" | S23633 |
| 29 | Ring, Lantern | S19198 |
| 32 | Key, 3/8 x 2-1/4" (See Note) | S23677 |
| 40 | Deflector | S19864 |
| 71 | Bracket | See Table II |
| 73 | Gasket, Balance Ring | S09943 |
| 115 | Ring, Balance | S12334 |
| 119 | O-Ring | S13760 |
| 800A | Capscrew, 1/2 - 13 x 1-1/4" (8 Req.) | S26914 |
| 800B | Capscrew, 5/8 - 11 x 1-1/2" (4 Req.) | S26999 |
| 801A | Stud, 3/8 - 16 x 1-1/2" (4 Req.) | S23995 |
| 801B | Stud, 3/8 - 16 x 2-1/2" (2 Req.) | S04438 |
| 802A | Nut, Hex 3/8 - 16 (4 Req.) | S23013 |
| 802B | Nut, Hex 3/8 - 16 (2 Req.) | S23343 |
| 805 | Washer, Lock | S23038 |
| 810 | Plug, Pipe 1/2 NPT (4 Req.) | S23717 |
| 811 | Fitting, Grease | S23700 |
| 825 | Sleeve, Impeller Locknut | S19865 |

TABLE II

| HP | PH | Bracket No. | "AK" Fit | "U" Dim. | Motor Frame |
|-----|----|-------------|----------|----------|-------------|
| 75 | 3 | L05610 | 12-1/2" | 1-5/8" | 364JP |
| 100 | 3 | L05610 | 12-1/2" | 1-5/8" | 365JP |

NOTE: For an explanation of the tabulated material found on this page and for impeller key location, refer to *Supplement A* located at the beginning of this section.