



TYPE "B" SINGLE STAGE CENTRIFUGAL PUMP Electric Motor Drive

Section	CC
Page	320.3
Date	January 1, 2004
Supersedes 6/1/95	

BRONZE IMPELLER

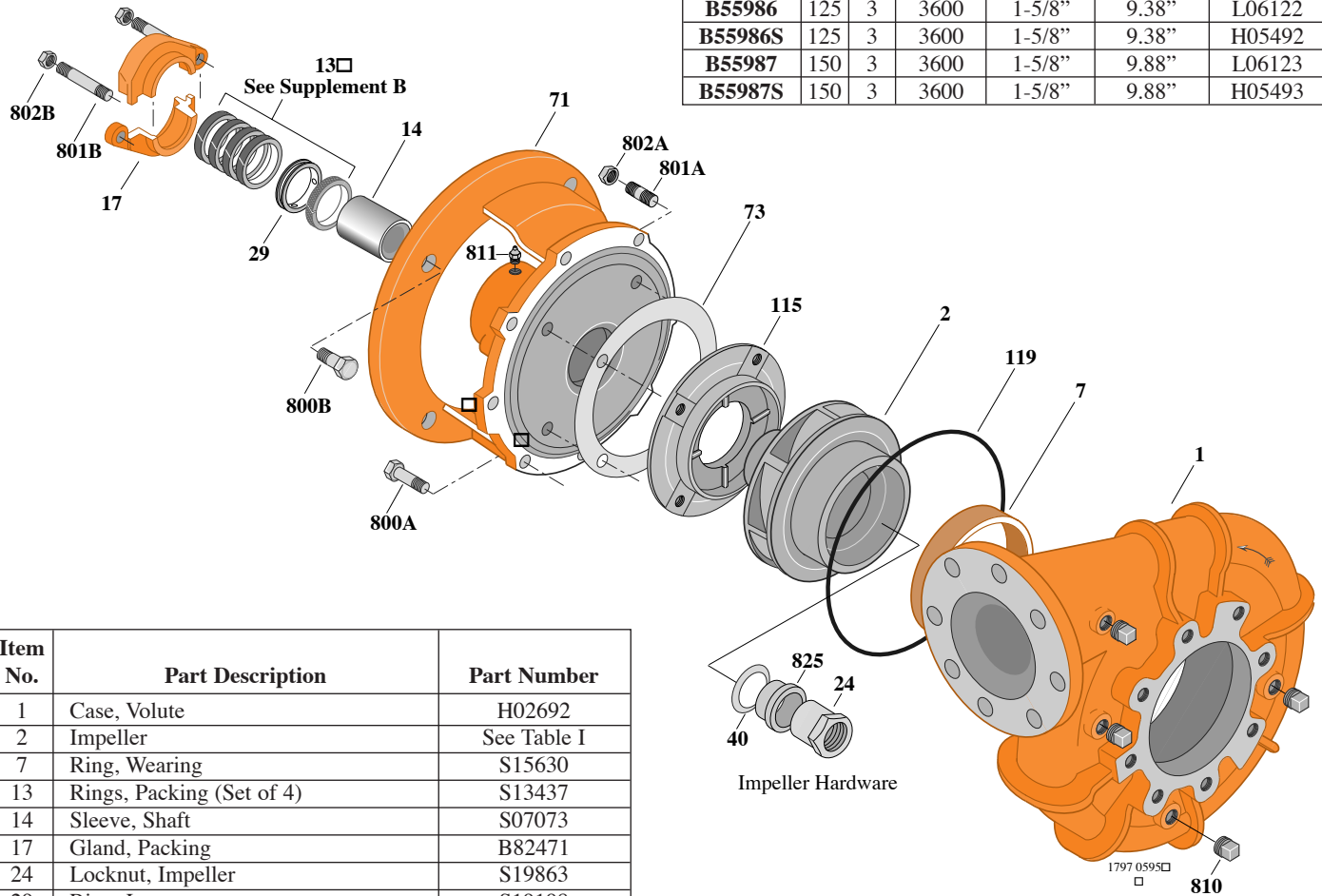
B5EPBM

Flanged Case

Packing Construction

TABLE I

B/M No.	HP	PH	RPM	"U" Dim.	Imp. Dia.	Imp. No.
B55986	125	3	3600	1-5/8"	9.38"	L06122
B55986S	125	3	3600	1-5/8"	9.38"	H05492
B55987	150	3	3600	1-5/8"	9.88"	L06123
B55987S	150	3	3600	1-5/8"	9.88"	H05493



Item No.	Part Description	Part Number
1	Case, Volute	H02692
2	Impeller	See Table I
7	Ring, Wearing	S15630
13	Rings, Packing (Set of 4)	S13437
14	Sleeve, Shaft	S07073
17	Gland, Packing	B82471
24	Locknut, Impeller	S19863
29	Ring, Lantern	S19198
32	Key, 3/8 x 2-1/4" (See Note)	S23940
40	Deflector	S19864
71	Bracket	See Table II
73	Gasket, Balance Ring	S09943
115	Ring, Balance	S12334
119	O-Ring	S13760
800A	Capscrew, 1/2 - 13 x 1-1/4" (8 Req.)	S26914
800B	Capscrew, 5/8 - 11 x 1-1/2" (4 Req.)	S26999
801A	Stud, 3/8 - 16 x 1-1/2" (4 Req.)	S23995
801B	Stud, 3/8 - 16 x 2-1/2" (2 Req.)	S04438
802A	Nut, Hex 3/8 - 16 (4 Req.)	S23103
802B	Nut, Hex 3/8 - 16 (2 Req.)	S23343
810	Plug, Pipe 1/2 NPT (4 Req.)	S23717
811	Fitting, Grease	S23700
825	Sleeve, Impeller Locknut	S19865

TABLE II

HP	PH	Bracket No.	"AK" Fit	"U" Dim.	Motor Frame
125	3	L05610	12-1/2"	1-5/8"	404TC
150	3	L05610	12-1/2"	1-5/8"	405TC

NOTE: For an explanation of the tabulated material found on this page and for impeller key location, refer to *Supplement A* located at the beginning of this section.