



Type "B" Single Stage Centrifugal Pump Electric Motor Drive

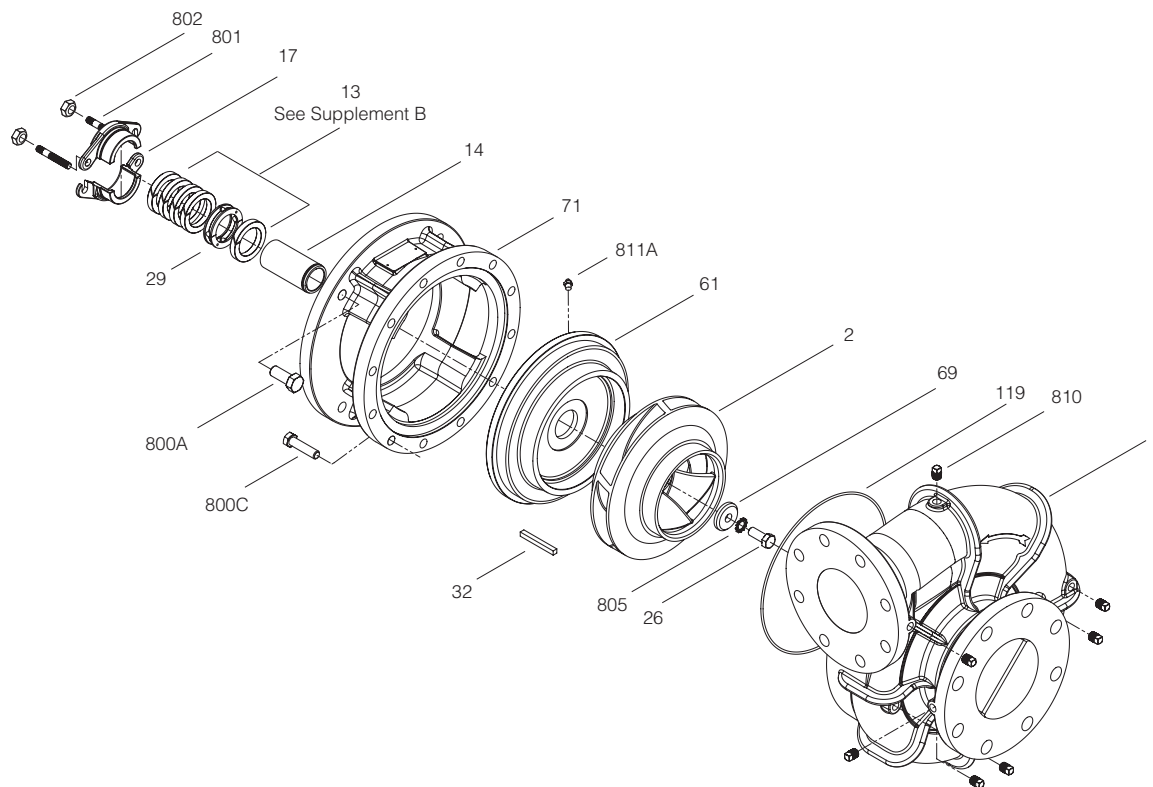
Section	CC
Page	348.1
Date	October 14, 2010
	New

CAST IRON IMPELLER

B6ZPBHH

Flanged Case

Packing Construction



6230 0710

Item No.	Part Description	Part Number
1	Case, Volute	M15050
2	Impeller	See Table I
13	Ring, Packing (Set of 4)	S13435
14	Sleeve, Shaft (Note 2)	B85741
17	Gland, Packing	B82740
26	Screw, Impeller	S23621
29	Ring, Lantern	S19200
32	Key, 1/4" X 2-1/4"	S23677
61	Plate, Seal	M15047
69	Washer, Impeller	S06319
71	Bracket	See Table II
119	O-Ring	M15099
800A	Screw, 1/2-13NC X 1-1/2" LG CRS (4 rqd)	S26916
800C	Screw, 1/2-13NC X 2" LG CRS (12 rqd)	S26920
801	Stud, 3/8-16NC X 2-1/2" LG 416SS (2 rqd)	S04438
802	Nut, Hex, Lock 3/8-16 SS (2 rqd)	M13771
805	Washer, Lock	S23038
810	Plug, Pipe	S23715
811A	Fitting, Grease	S23700

Table I

B/M No.	HP	PH	RPM	Imp. Dia.	Imp. No.
B85703	40	3	1800	9.63	M15053
B85705	30	3	1800	9.13	M15392
B85707	25	3	1800	8.56	M15393
B85709	20	3	1800	8.125 X 7.75	M15394

Table II

HP	PH	Bracket No.	"AK" Dim.	"U" Dim.	Motor Frame
40	3	M15045	12.50	1.25	324JP
30	3	M15050	12.50	1.25	286JP
25	3	M15050	12.50	1.25	284JP
20	3	M15044	8.50	1.25	256JP

NOTES

- 1 Impeller kit B85754 includes items 26, 32, 69, 119, 805
- 2 Shaft sleeve kit B85741 includes item 14, adhesive and instruction sheet