



Type "B" Single Stage Centrifugal Pump Electric Motor Drive

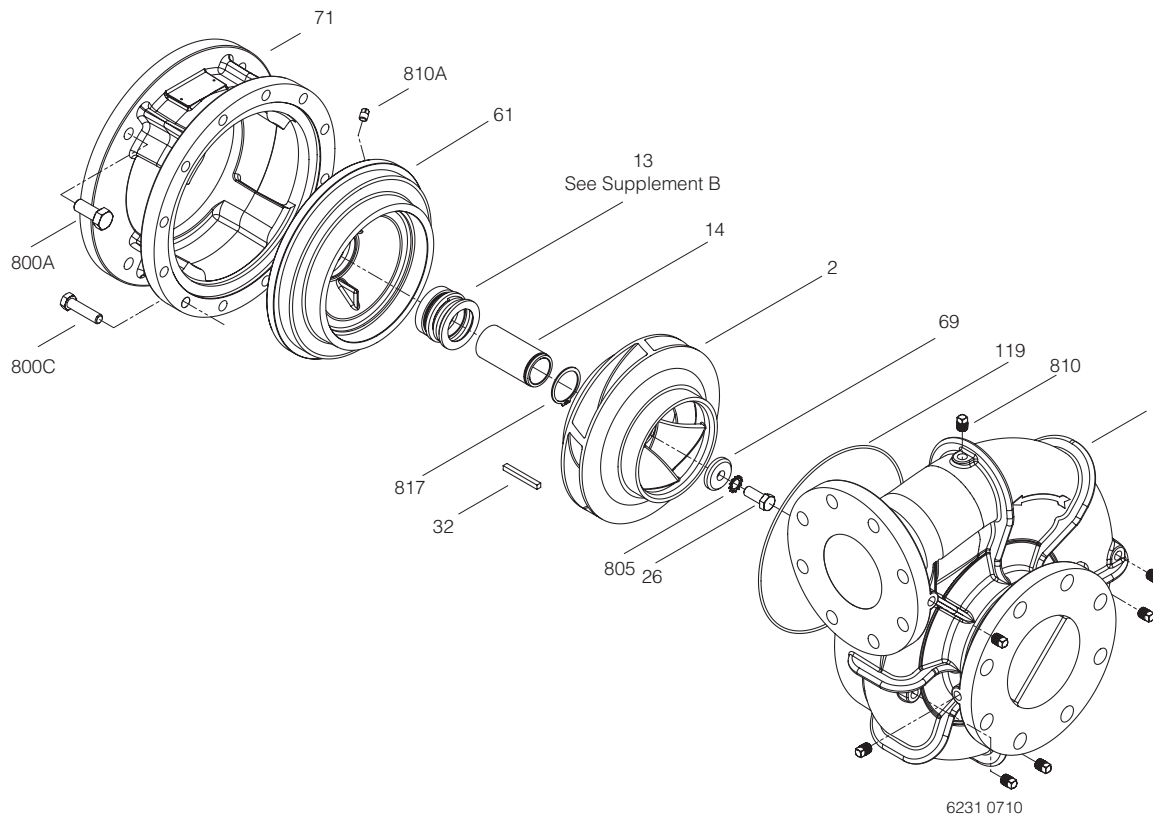
Section	CC
Page	348.2
Date	October 14, 2010
	New

CAST IRON IMPELLER

B6ZPBHHS

Flanged Case

Mechanical Shaft Seal Construction



Item No.	Part Description	Part Number
1	Case, Volute	M15050
2	Impeller	See Table I
13	Seal, Shaft	S32015
14	Sleeve, Shaft (Note 2)	B85741
26	Screw, Impeller	S23621
32	Key, Impeller	S23677
61	Plate, Seal	M15046
69	Washer, Impeller	S06319
71	Bracket	See Table II
119	O-Ring	M15099
800A	Screw, 1/2-13NC X 1-1/2 LG CRS (4 rqd)	S26916
800C	Screw, 1/2-13NC X 2 LG CRS (12 rqd)	S26920
805	Washer, Lock	S23038
810	Plug, Pipe	S23715
810A	Plug, Pipe	U78-56ZPS
817	Ring, Retaining	S16767

Table I

B/M No.	HP	PH	RPM	Imp. Dia.	Imp. No.
B85704	40	3	1800	9.63	M15053
B85706	30	3	1800	9.13	M15392
B85708	25	3	1800	8.56	M15393
B85710	20	3	1800	8.125 X 7.75	M15394

Table II

HP	PH	Bracket No.	"AK" Dim.	"U" Dim.	Motor Frame
40	3	M15045	12.50	1.25	324JP
30	3	M15045	12.50	1.25	286JP
25	3	M15045	12.50	1.25	284JP
20	3	M15044	8.50	1.25	256JP

NOTES

- 1 Impeller kit B85754 includes items 26, 32, 69, 119, 805
- 2 Shaft sleeve kit B85741 includes item 14, adhesive and instruction sheet