



Type "B" Single Stage Centrifugal Pump Electric Motor Drive

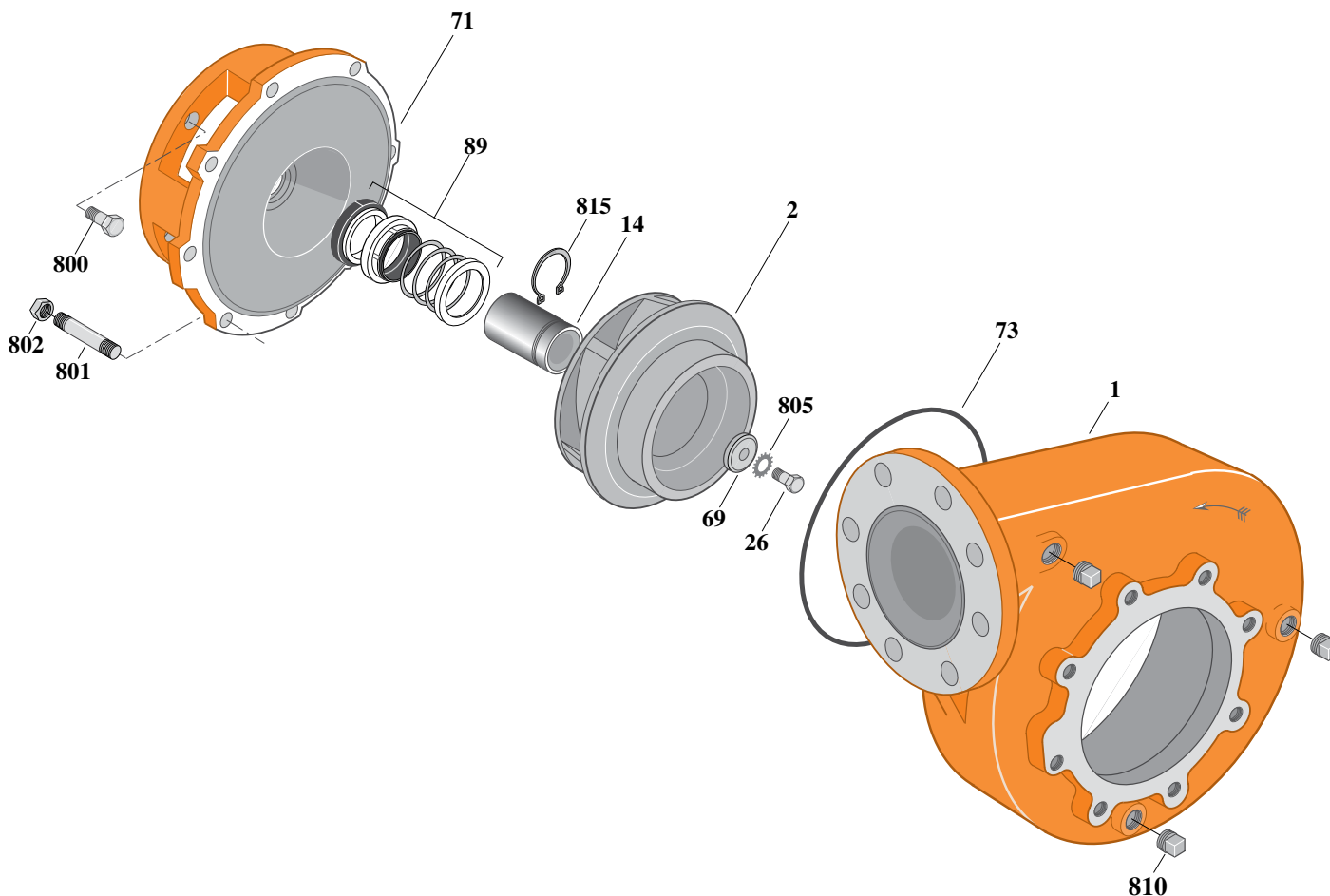
Section	CC
Page	350.2
Date	July 1, 2011
Supersedes 1/1/04	

CAST IRON IMPELLER

B6ZPLS

Flanged Case

Mechanical Shaft Seal Construction



Item	Part Description	Part Number
1	Case, Volute	H05065
2	Impeller	See Table I
14	Sleeve, Shaft	S19310L
26	Screw, Impeller 3/8 - 16 x 2"	S23574
32	Key, 3/16 x 1-1/4" (See Note 1)	S34383
69	Washer, Impeller	S06314
71	Bracket	See Table II
73	O-Ring (See Note 2)	M14943
89	Seal, Mechanical Shaft	S32014
800	Capscrew, 1/2 - 13 x 1" (4 Req.)	S26912
801	Stud, 3/8 - 16 x 1-3/8" (8 Req.)	S09942
802	Nut, 3/8 - 16 (8 Req.)	S23103
805	Washer, Lock	S23036
810	Plug, Pipe 1/2 NPT (3 Req.)	S23717
815	Ring, Retaining	S11207

Table I

B/M No.	HP	PH	RPM	"U" Dim.	Imp. Dia.	Imp. No.
B69514	10	1	1800	7/8"	6.12"x8.25"	M07766
B69515	10	3	1800	7/8"	6.12"x8.25"	M07766

Table II

HP	PH	Bracket No.	"AK" Fit	"U" Dim.	Motor Frame
10	1	L05331	8-1/2"	7/8"	215JM
10	3	L05331	8-1/2"	7/8"	215JM

NOTE 1: For an explanation of the tabulated material found on this page and for impeller key location, refer to *Supplement A* located at the beginning of this section.

NOTE 2: Also accepts gasket S05126 as replacement for o-ring. See *Supplement E* located at the beginning of this section.