



# TYPE "B" SINGLE STAGE CENTRIFUGAL PUMP Electric Motor Drive

Section	CC
Page	370.1
Date	January 1, 2004
Supersedes 6/1/95	

## CAST IRON IMPELLER

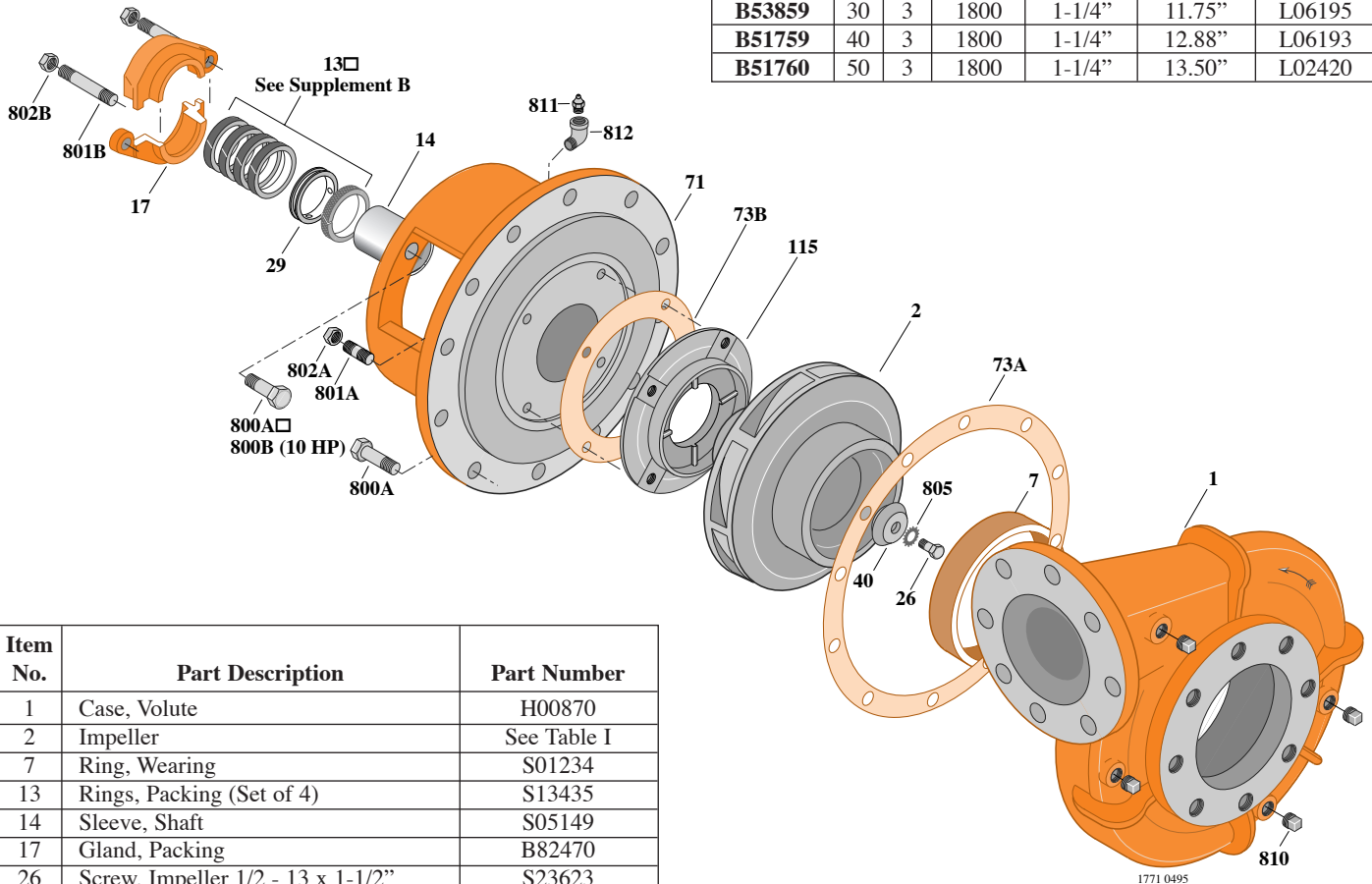
## B6JPBL

### Flanged Case

### Packing Construction

TABLE I

B/M No.	HP	PH	RPM	"U" Dim.	Imp. Dia.	Imp. No.
B53858	25	3	1800	1-1/4"	11.00"	L06194
B53859	30	3	1800	1-1/4"	11.75"	L06195
B51759	40	3	1800	1-1/4"	12.88"	L06193
B51760	50	3	1800	1-1/4"	13.50"	L02420



Item No.	Part Description	Part Number
1	Case, Volute	H00870
2	Impeller	See Table I
7	Ring, Wearing	S01234
13	Rings, Packing (Set of 4)	S13435
14	Sleeve, Shaft	S05149
17	Gland, Packing	B82470
26	Screw, Impeller 1/2 - 13 x 1-1/2"	S23623
29	Ring, Lantern	S19200
32	Key, 1/4 x 2-1/4" (See Note)	S23677
40	Deflector	S06319
71	Bracket	See Table II
73A	Gasket, Volute	S06271
73B	Gasket, Balance Ring	S09943
115	Ring, Balance	S12315
800	Capscrew, 5/8 - 11 x 1-1/2" (16 Req.)	S26999
801A	Stud, 3/8 - 16 x 1-3/4" (4 Req.)	S23996
801B	Stud, 3/8 - 16 x 2-1/2" (2 Req.)	S04438
802A	Nut, Hex 3/8 - 16 (4 Req.)	S23103
802B	Nut, Hex 3/8 - 16 (2 Req.)	S23343
805	Washer, Lock	S23038
810	Plug, Pipe 1/2 NPT (4 Req.)	S23717
811	Fitting, Grease	S23700
812	Elbow, Street	S25421

TABLE II

HP	PH	Bracket No.	"AK" Fit	"U" Dim.	Motor Frame
25	3	H01601	12-1/2"	1-1/4"	284JP
30	3	H01601	12-1/2"	1-1/4"	286JP
40	3	H01601	12-1/2"	1-1/4"	324JP
50	3	H01601	12-1/2"	1-1/4"	326JP

**NOTE:** For an explanation of the tabulated material found on this page and for impeller key location, refer to *Supplement A* located at the beginning of this section.