



TYPE "B" SINGLE STAGE  
CENTRIFUGAL PUMP  
Electric Motor Drive

Section	CC
Page	380.4
Date	January 1, 2004
Supersedes 6/1/95	

CAST IRON IMPELLER

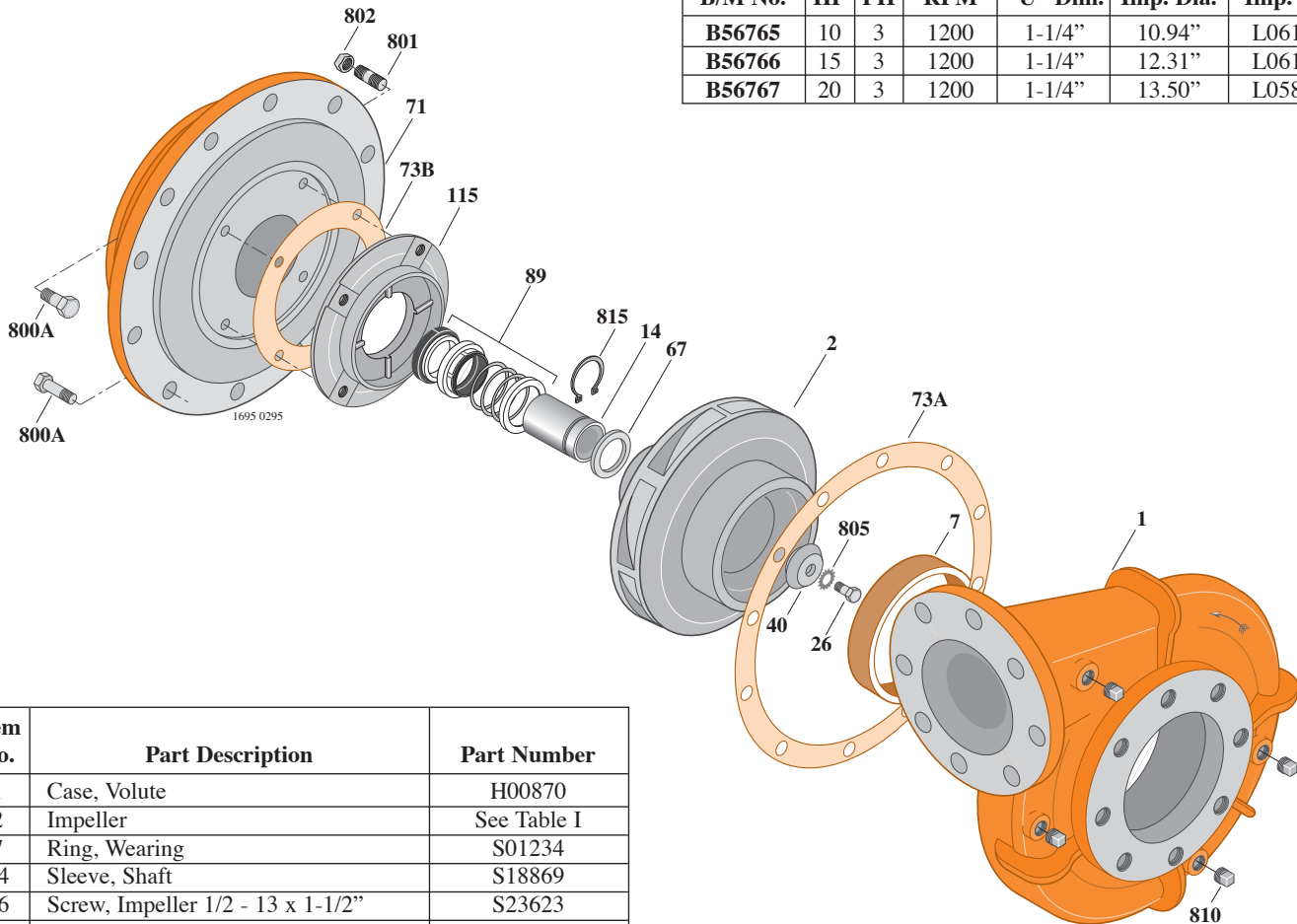
B6JPBMS

Flanged Case

Mechanical Shaft Seal Construction

TABLE I

B/M No.	HP	PH	RPM	"U" Dim.	Imp. Dia.	Imp. No.
B56765	10	3	1200	1-1/4"	10.94"	L06196
B56766	15	3	1200	1-1/4"	12.31"	L06199
B56767	20	3	1200	1-1/4"	13.50"	L05816



Item No.	Part Description	Part Number
1	Case, Volute	H00870
2	Impeller	See Table I
7	Ring, Wearing	S01234
14	Sleeve, Shaft	S18869
26	Screw, Impeller 1/2 - 13 x 1-1/2"	S23623
32	Key, 1/4 x 2-1/4" (See Note)	S23677
40	Deflector	S18117
67	Ring, Spacer	S19349
71	Bracket	See Table II
73A	Gasket, Volute Case	S06271
73B	Gasket, Balance Ring	S09943
89	Seal, Mechanical Shaft	S32015
115	Ring, Balance	S19105
800A	Capscrew, 5/8 - 11 x 1-1/2" (12 Req.-8-1/2 AK; 16 Req.-12-1/2 AK)	S26999
800B	Capscrew, 1/2 - 13 x 1-1/2" (4 Req.) (8-1/2 AK Only)	S26916
801	Stud, 3/8 - 16 x 1-1/2" (4 Req.)	S23995
802	Nut, 3/8 - 16 (4 Req.)	S23103
805	Washer, Lock	S23038
810	Plug, Pipe 1/2 NPT (4 Req.)	S23717
815	Ring, Retaining	S16767

TABLE II

HP	PH	Bracket No.	"AK" Fit	"U" Dim.	Motor Frame
10	3	H03300	8-1/2"	1-1/4"	256JM
15	3	H03301	12-1/2"	1-1/4"	284JM
20	3	H03301	12-1/2"	1-1/4"	286JM

**NOTE:** For an explanation of the tabulated material found on this page and for impeller key location, refer to *Supplement A* located at the beginning of this section.