



TYPE "B" SINGLE STAGE CENTRIFUGAL PUMP Electric Motor Drive

Section	CC
Page	380.7
Date	February 2, 2007
Supersedes 1/1/04	

SILICON BRONZE IMPELLER

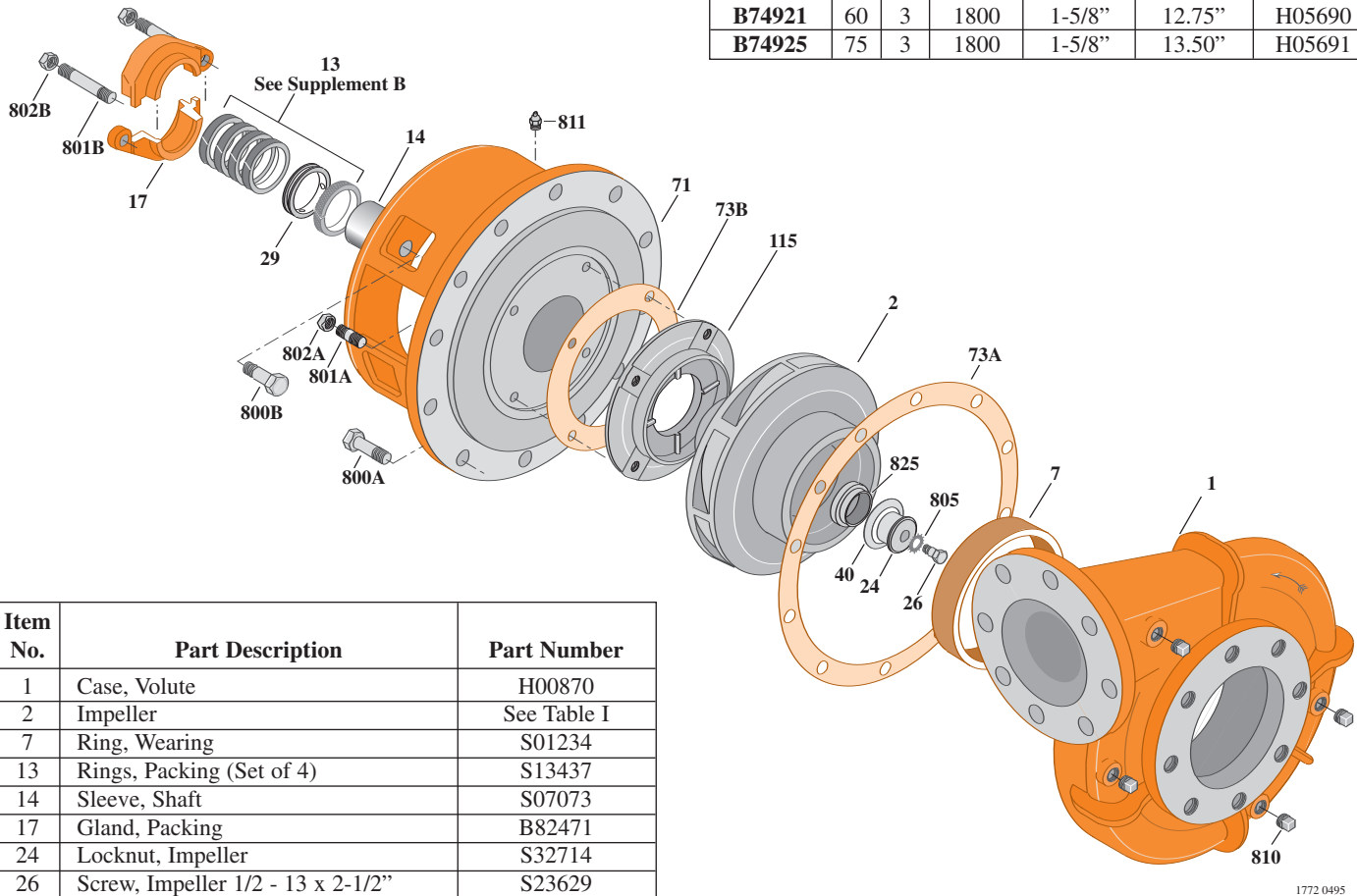
B6JPBM

Flanged Case

Packing Construction

TABLE I

B/M No.	HP	PH	RPM	"U" Dim.	Imp. Dia.	Imp. No.
B74921	60	3	1800	1-5/8"	12.75"	H05690
B74925	75	3	1800	1-5/8"	13.50"	H05691



Item No.	Part Description	Part Number
1	Case, Volute	H00870
2	Impeller	See Table I
7	Ring, Wearing	S01234
13	Rings, Packing (Set of 4)	S13437
14	Sleeve, Shaft	S07073
17	Gland, Packing	B82471
24	Locknut, Impeller	S32714
26	Screw, Impeller 1/2 - 13 x 2-1/2"	S23629
29	Ring, Lantern	S19198
32	Key, 3/8 x 2-1/4" (See Note)	S23940
40	Deflector	S19864
71	Bracket	See Table II
73A	Gasket, Volute	S06271
73B	Gasket, Balance Ring	S09943
115	Ring, Balance	S12334
800A	Capscrew, 5/8 - 11 x 1-1/2" (12 Req.)	S26999
800B	Capscrew, 5/8 - 11 x 1-3/4" (4 Req.)	S27001
801A	Stud, 3/8 - 16 x 1-3/4" (4 Req.)	S23996
801B	Stud, 3/8 - 16 x 2-1/2" (2 Req.)	S04438
802A	Nut, Hex 3/8 - 16 (4 Req.)	S23103
802B	Nut, Hex 3/8 - 16 (2 Req.)	S23343
805	Washer, Lock	S23038
810	Plug, Pipe 1/2" NPT (4 Req.)	S23717
811	Fitting, Grease	S23700
825	Sleeve, Impeller Locknut	S31661

TABLE II

HP	PH	Bracket No.	"AK" Fit	"U" Dim.	Motor Frame
60	3	H03622	12-1/2"	1-5/8"	364JP
75	3	H03622	12-1/2"	1-5/8"	365JP

NOTE: For an explanation of the tabulated material found on this page and for impeller key location, refer to *Supplement A* located at the beginning of this section.