



TYPE "B" SINGLE STAGE CENTRIFUGAL PUMP Electric Motor Drive

Section	CC
Page	380.9
Date	January 1, 2004
Supersedes 9/1/97	

SILICON BRONZE IMPELLER

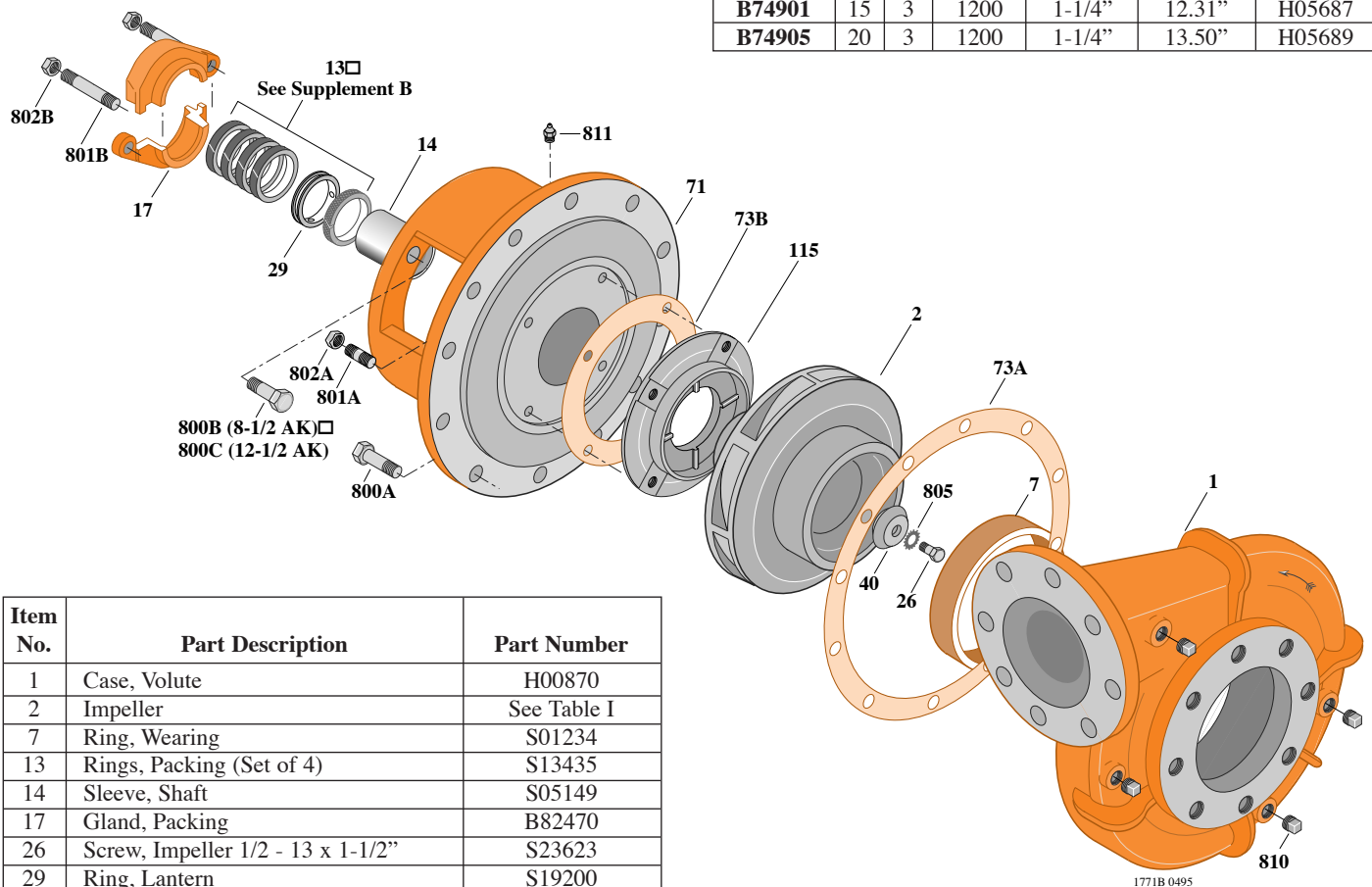
B6JPBM

Flanged Case

Packing Construction

TABLE I

B/M No.	HP	PH	RPM	"U" Dim.	Imp. Dia.	Imp. No.
B74897	10	3	1200	1-1/4"	10.94"	H05684
B74901	15	3	1200	1-1/4"	12.31"	H05687
B74905	20	3	1200	1-1/4"	13.50"	H05689



Item No.	Part Description	Part Number
1	Case, Volute	H00870
2	Impeller	See Table I
7	Ring, Wearing	S01234
13	Rings, Packing (Set of 4)	S13435
14	Sleeve, Shaft	S05149
17	Gland, Packing	B82470
26	Screw, Impeller 1/2 - 13 x 1-1/2"	S23623
29	Ring, Lantern	S19200
32	Key, 1/4 x 2-1/4" (See Note)	S23677
40	Deflector	S18117
71	Bracket	See Table II
73A	Gasket, Volute	S06271
73B	Gasket, Balance Ring	S09943
115	Ring, Balance	S12315
800A	Capscrew, 5/8 - 11 x 1-1/2" (12 Req.)	S26999
800B	Capscrew, 1/2 - 13 x 1-1/2" (4 Req.)	S26916
800C	Capscrew, 5/8 - 11 x 1-1/2" (4 Req.)	S26999
801A	Stud, 3/8 - 16 x 1-3/4" (4 Req.)	S23996
801B	Stud, 3/8 - 16 x 2-1/2" (2 Req.)	S04438
802A	Nut, Hex 3/8 - 16 (4 Req.)	S23103
802B	Nut, Hex 3/8 - 16 (2 Req.)	S23343
805	Washer, Lock	S23038
810	Plug, Pipe 1/2" NPT (4 Req.)	S23717
811	Fitting, Grease	S23700

TABLE II

HP	PH	Bracket No.	"AK" Fit	"U" Dim.	Motor Frame
10	3	H02384	8-1/2"	1-1/4"	256JP
15	3	H01601	12-1/2"	1-1/4"	284JP
20	3	H01601	12-1/2"	1-1/4"	286JP

NOTE: For an explanation of the tabulated material found on this page and for impeller key location, refer to *Supplement A* located at the beginning of this section.