



TYPE "B" SINGLE STAGE CENTRIFUGAL PUMP Electric Motor Drive

Section	CC
Page	390.3
Date	February 2, 2007
Supersedes 1/1/04	

CAST IRON IMPELLER

B6JPBHS

Flanged Case

Mechanical Shaft Seal Construction

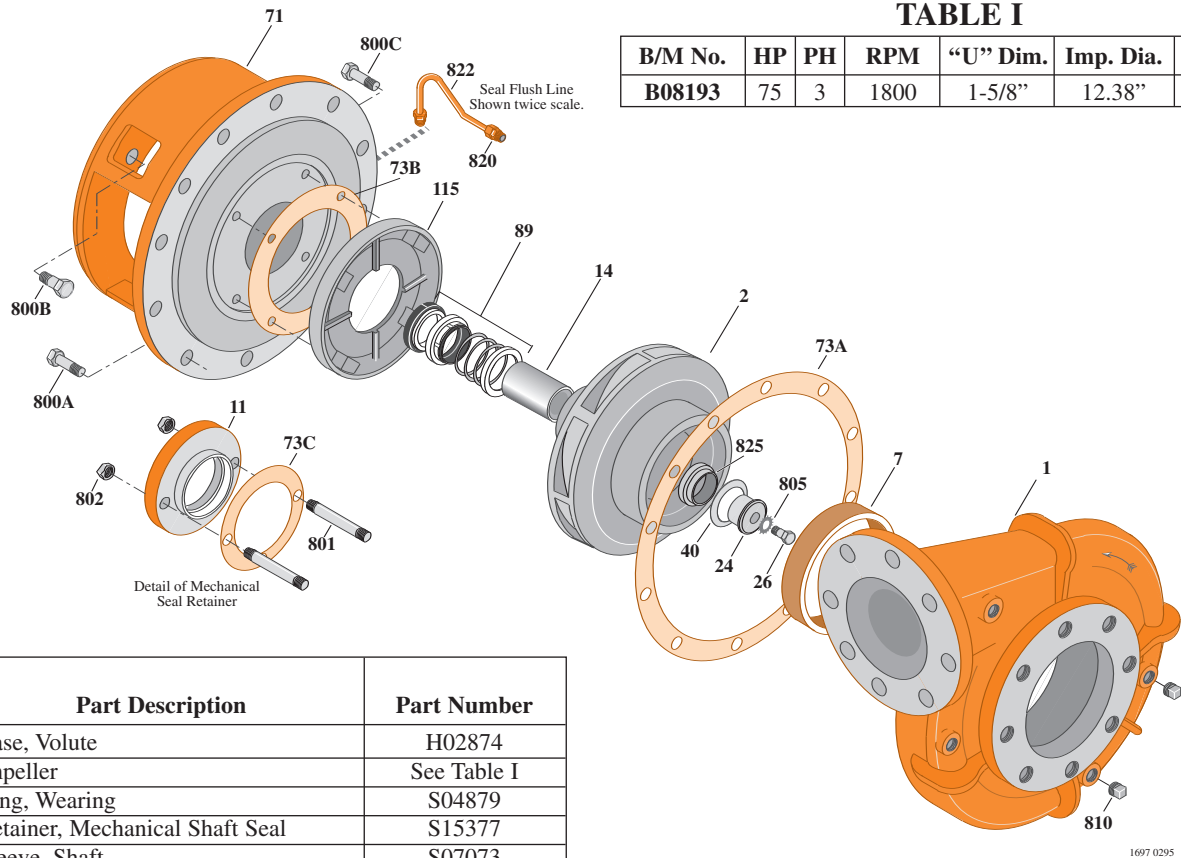


TABLE I

B/M No.	HP	PH	RPM	"U" Dim.	Imp. Dia.	Imp. No.
B08193	75	3	1800	1-5/8"	12.38"	L06202

Item No.	Part Description	Part Number
1	Case, Volute	H02874
2	Impeller	See Table I
7	Ring, Wearing	S04879
11	Retainer, Mechanical Shaft Seal	S15377
14	Sleeve, Shaft	S07073
24	Locknut, Impeller	S32712
26	Screw, Impeller 1/2 - 13 x 2-1/2"	S23629
32	Key, 3/8 x 2-1/4" (See Note)	S23940
40	Deflector	S19864
71	Bracket	See Table II
73A	Gasket, Volute Case	S06271
73B	Gasket, Balance Ring	S09943
73C	Gasket, Seal Retainer	S15078
89	Seal, Mechanical Shaft	S32016
115	Ring, Balance	M06114
800A	Capscrew, 5/8 - 11 x 1-1/2" (12 Req.)	S26999
800B	Capscrew, 5/8 - 11 x 1-3/4" (4 Req.)	S27001
800C	Capscrew, 3/8 - 16 x 1-1/2" (4 Req.)	S26830
801	Stud, 3/8 - 16 x 2-1/2" (2 Req.)	S04438
802	Nut, 3/8 - 16 (2 Req.)	S23343
805	Washer, Lock	S23038
810	Plug, Pipe 1/2 NPT (4 Req.)	S23717
820	Connector, Comp. Fitting (2 Req.)	S24013
822	Tubing, Copper	S20677
825	Sleeve, Impeller Locknut	S31661
•	Plug, Pipe 1/8 NPT (Not Illustrated)	S23714

TABLE II

HP	PH	Bracket No.	"AK" Fit	"U" Dim.	Motor Frame
75	3	H03936	12-1/2"	1-5/8"	365JP

NOTE: For an explanation of the tabulated material found on this page and for impeller key location, refer to *Supplement A* located at the beginning of this section.