



Type "B" Single Stage Centrifugal Pump Electric Motor Drive

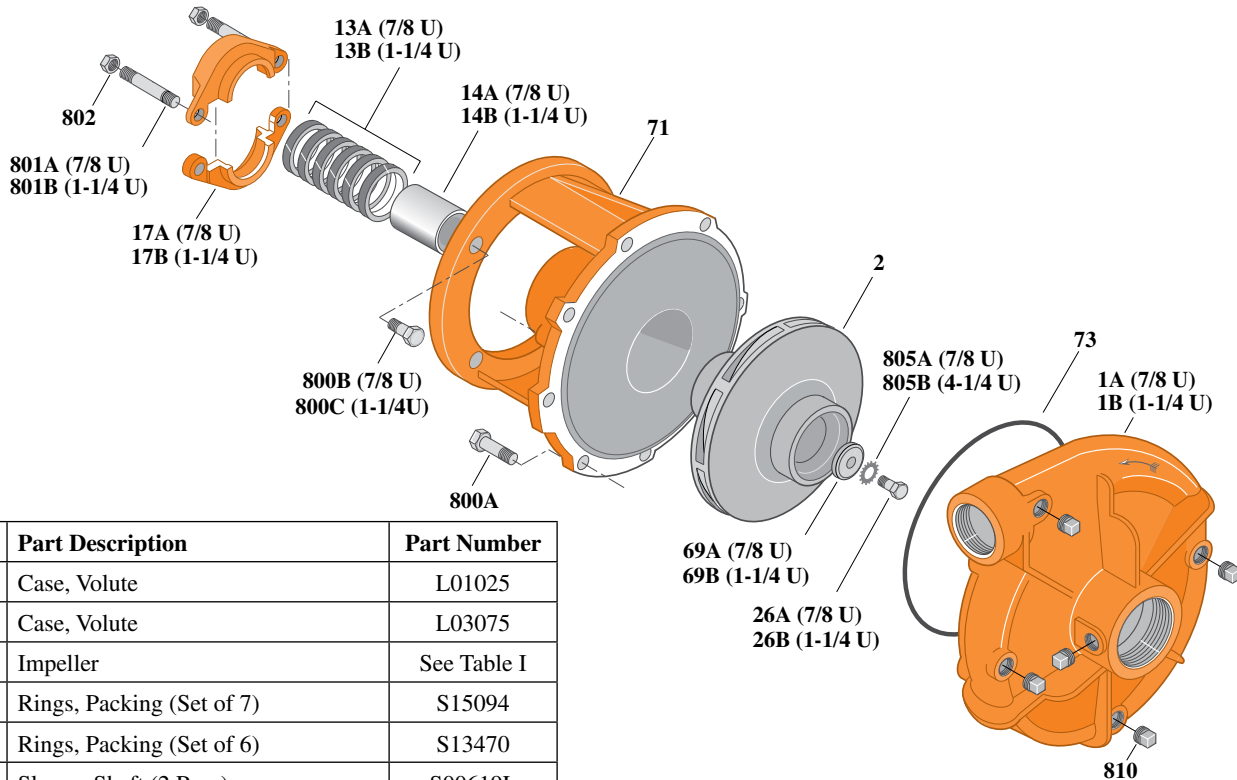
Section	CC
Page	40.7
Date	July 1, 2011
Supersedes 1/1/04	

SILICON BRONZE IMPELLER

B1-1/2ZPL

Threaded Case (NPT)

Packing Construction



Item	Part Description	Part Number
1A	Case, Volute	L01025
1B	Case, Volute	L03075
2	Impeller	See Table I
13A	Rings, Packing (Set of 7)	S15094
13B	Rings, Packing (Set of 6)	S13470
14A	Sleeve, Shaft (2 Req.)	S00619L
14B	Sleeve, Shaft	S05149L
17A	Gland, Packing	B82469
17B	Gland, Packing	B82470
26A	Screw, Impeller 3/8 - 16 x 1"	S23566
26B	Screw, Impeller 1/2 - 13 x 1"	S23619
32A	Key, 3/16 x 1-1/4" (See Note 1)	S34383
32B	Key, 1/4 x 2/14" (See Note 1)	S23677
69A	Washer, Impeller	S06314
69B	Washer, Impeller	S06317
71	Bracket	See Table II
73	O-Ring (See Note 2)	M14943
800A	Capscrew, 3/8 - 16 x 1" (8 Req.)	S26826
800B	Capscrew, 3/8 - 16 x 1-1/8" (4 Req.)	S26827
800C	Capscrew, 1/2 - 13 x 1-1/2" (4 Req.)	S26916
801A	Stud, 3/8 - 16 x 3" (2 Req.)	S04439
801B	Stud, 3/8 - 16 x 4" (2 Req.)	S08303
802	Nut, Hex 3/8 - 16 (2 Req.)	S23343
805A	Washer, Lock	S23036
805B	Washer, Lock	S23038
810	Plug, Pipe 1/4" NPT (5 Req.)	S23715

Table I

B/M No.	HP	PH	RPM	"U" Dim.	Imp. Dia.	Imp. No.
B66487S	7.5	1	3600	1-1/4"	7.18"	H05458
B66488S	7.5	3	3600	7/8"	7.18"	H05459
B66491S	10	1	3600	1-1/4"	7.88"	H05460
B66492S	10	3	3600	1-1/4"	7.88"	H05460
B66493S	15	3	3600	1-1/4"	8.75"	H05461

Table II

HP	PH	Bracket No.	"AK" Fit	"U" Dim.	Motor Frame
7.5	1	L03827	8-1/2"	1-1/4"	213JP
7.5	3	H00950	4-1/2"	7/8"	184JP
10	1	L03827	8-1/2"	1-1/4"	215JP
10	3	L03827	8-1/2"	1-1/4"	213JP
15	3	L03827	8-1/2"	1-1/4"	215JP

NOTE 1: For an explanation of the tabulated material found on this page and for impeller key location, refer to *Supplement A* located at the beginning of this section.

NOTE 2: Also accepts gasket S05126 as replacement for o-ring. See *Supplement E* located at the beginning of this section.