



Type "B" Single Stage Centrifugal Pump Electric Motor Drive

Section	CC
Page	40.8
Date	July 1, 2011
Supersedes 1/1/04	

SILICON BRONZE IMPELLER B1-1/2ZPLS

Threaded Case (NPT)

Mechanical Shaft Seal Construction

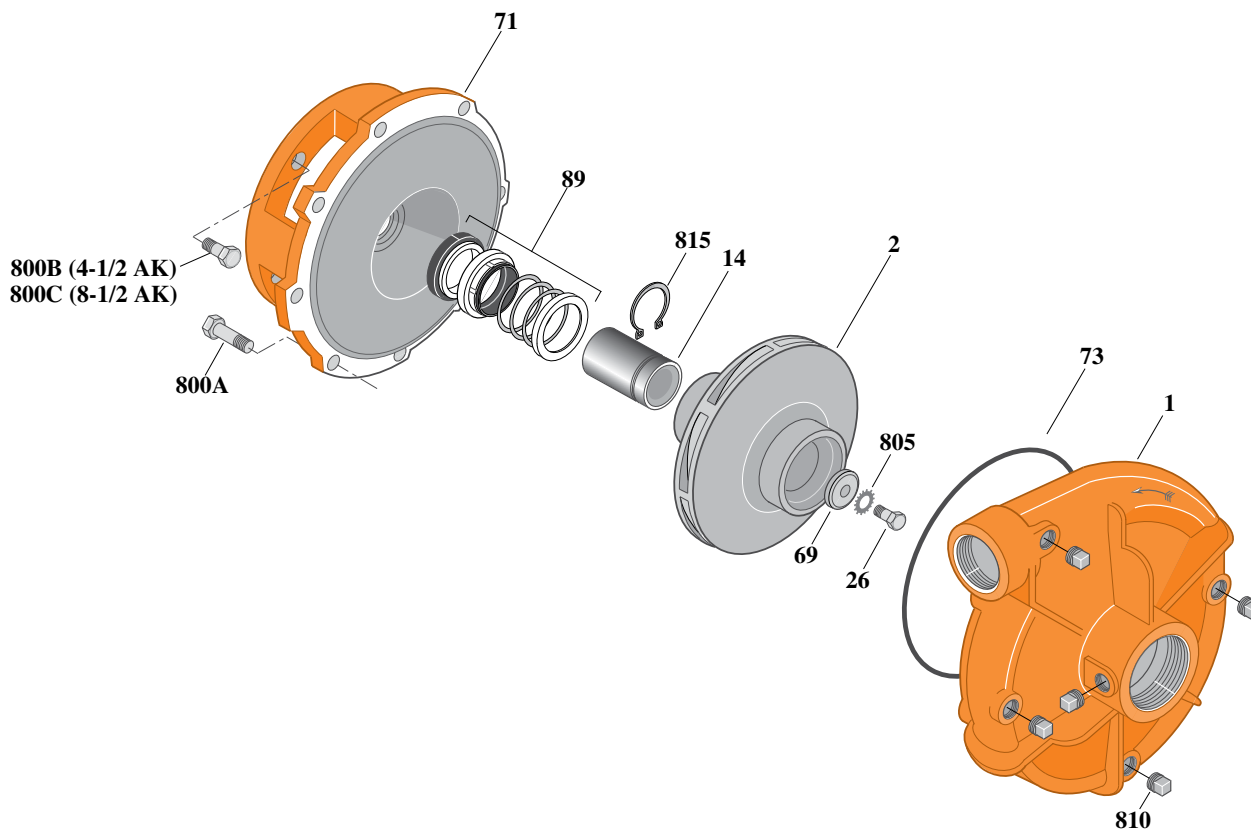


Table I

B/M No.	HP	PH	RPM	"U" Dim.	Imp. Dia.	Imp. No.
B66489S	7.5	1	3600	7/8"	7.18"	H05459
B66490S	7.5	3	3600	7/8"	7.18"	H05459
B66832S	10	1	3600	7/8"	7.88"	H05463
B66833S	10	3	3600	7/8"	7.88"	H05463
B66841S	15	3	3600	7/8"	8.75"	H05464

Table II

HP	PH	Bracket No.	"AK" Fit	"U" Dim.	Motor Frame
7.5	1	L05331	8-1/2"	7/8"	213JM
7.5	3	L05332	4-1/2"	7/8"	184JM
10	1	L05331	8-1/2"	7/8"	215JM
10	3	L05331	8-1/2"	7/8"	213JM
15	3	L05331	8-1/2"	7/8"	215JM

Item	Part Description	Part Number
1	Case, Volute	L01025
2	Impeller	See Table I
14	Sleeve, Shaft	S19310L
26	Screw, Impeller 3/8 - 16 x 1"	S23566
32	Key, 3/16 x 1-1/4" (See Note 1)	S34383
69	Washer, Impeller	S06314
71	Bracket	See Table II
73	O-Ring (See Note 3)	M14943
89	Seal, Mechanical Shaft	S32014
800A	Capscrew, 3/8 - 16 x 1" (8 Req.)	S26826
800B	Capscrew, 3/8 - 16 x 1" (4 Req.)	S26826
800C	Capscrew, 1/2 - 13 x 1" (4 Req.)	S26912
805	Washer, Lock	S23036
810	Plug, Pipe 1/4" NPT (5 Req.)	S23715
815	Ring, Retaining	S11207
•	Plug, Pipe 1/8" NPT (In Bracket)	S23714

NOTE 1: For an explanation of the tabulated material found on this page and for impeller key location, refer to *Supplement A* located at the beginning of this section.

NOTE 2: For seal flush line details, see *Supplement D*.

NOTE 3: Also accepts gasket S05126 as replacement for o-ring. See *Supplement E* located at the beginning of this section.

• Not illustrated.

Form No. S4855BK