



Type "B" Single Stage Centrifugal Pump Electric Motor Drive

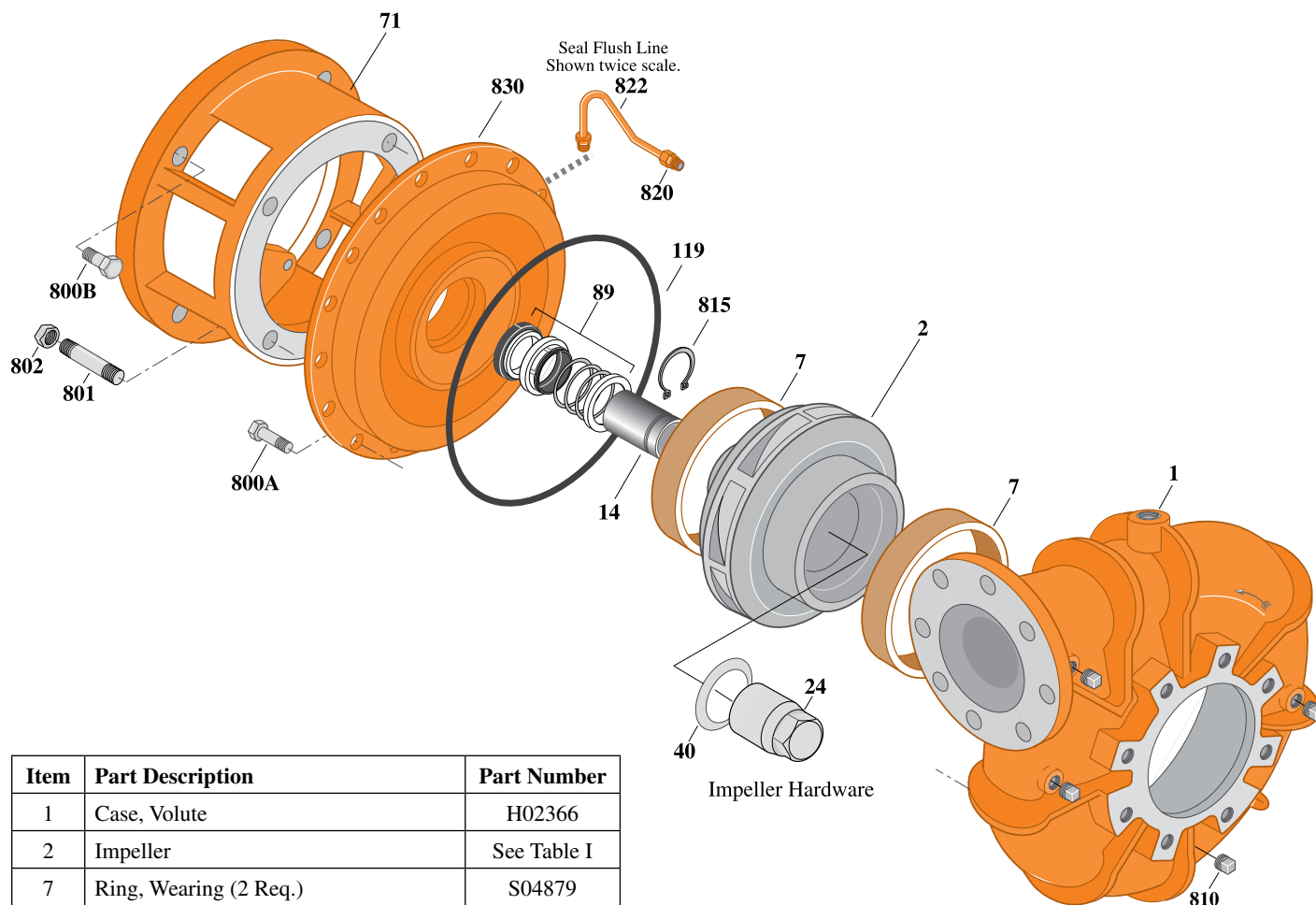
Section	CC
Page	410.6
Date	July 1, 2011
Supersedes 1/1/04	

CAST IRON IMPELLER

B6EXPBHS

Flanged Case

Mechanical Shaft Seal Construction



Item	Part Description	Part Number
1	Case, Volute	H02366
2	Impeller	See Table I
7	Ring, Wearing (2 Req.)	S04879
14	Sleeve, Shaft	S29517L
24	Locknut, Impeller	S07829
32	Key, 3/8 x 2-1/2" (See Note)	S26547
40	Deflector	S18720
71	Bracket	See Table II
89	Seal, Mechanical Shaft	S32697
119	O-Ring	S14444
800A	Capscrew, 5/8 - 11 x 1-1/2" (16 Req.)	S26999
800B	Capscrew, 5/8 - 11 x 1-3/4" (4 Req.)	S27001
801	Stud, 3/4 - 10 x 2-1/2" (4 Req.)	S24079
802	Nut, 3/4 - 10 (4 Req.)	S23111
810	Plug, Pipe 1/2 NPT (4 Req.)	S23717
815	Ring, Retaining	S29519
820	Connector, Comp. Fitting (2 Req.)	S24013
822	Tubing, Copper	S20677
830	Cover, Case	H03557

Table I

B/M No.	HP	PH	RPM	"U" Dim.	Imp. Dia.	Imp. No.
B62103	150	3	1800	2-1/8"	15.06"	L06215
B62104	200	3	1800	2-1/8"	15.50"	L05800

Table II

HP	PH	Bracket No.	"AK" Fit	"U" Dim.	Motor Frame
150	3	H02762	16"	2-1/8"	444TY
200	3	H02762	16"	2-1/8"	445TY

NOTE: For an explanation of the tabulated material found on this page and for impeller key location, refer to *Supplement A* located at the beginning of this section.